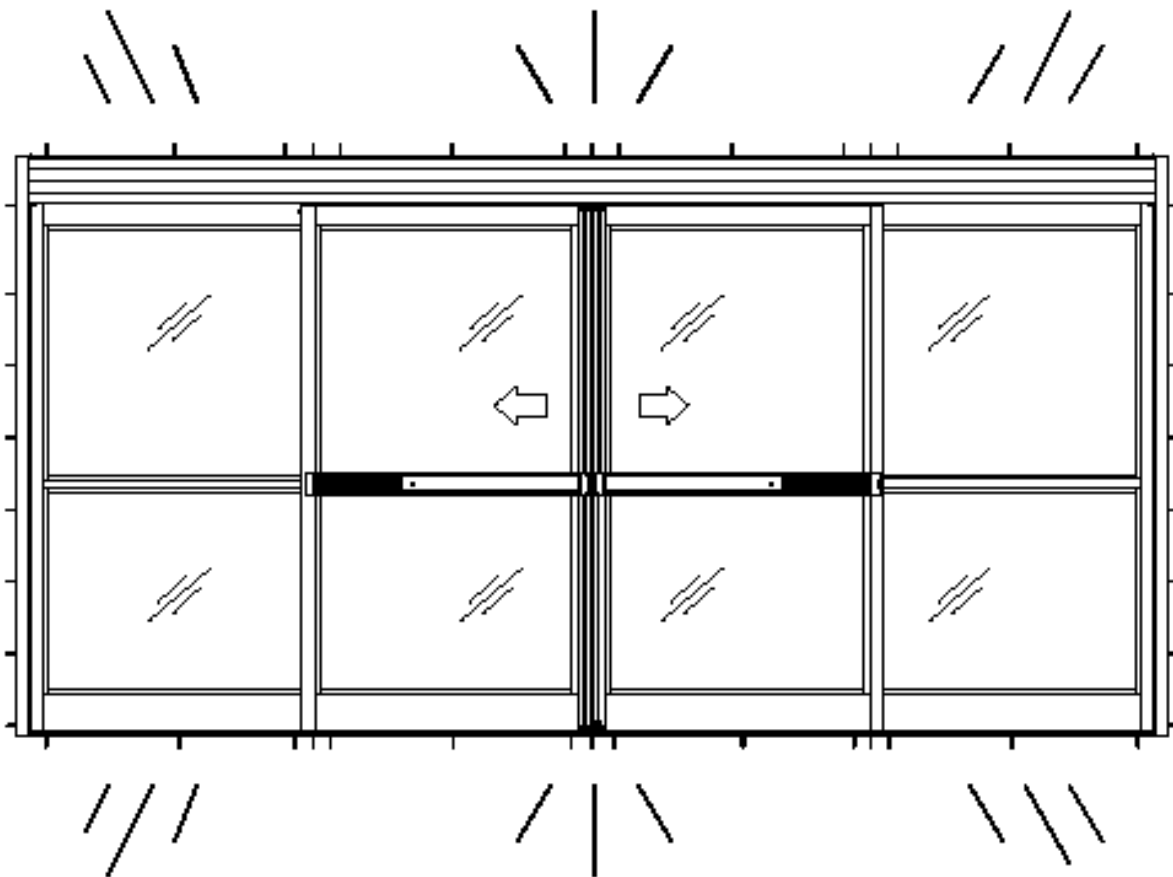




5400/5500 Series Sliding Door Installation Supplement

STORM ***CORD***





5400/5500 Series Sliding Door Installation Supplement

Introduction

The **record** 5400/5500 Hurricane-Rated slider has been carefully designed, built, and tested to provide years of service.

The life of the door package is directly related to how carefully the installation is accomplished and how accurately the instructions are followed. Installation of this door package should be done by properly trained and knowledgeable installers with a knowledge of local code requirements and the requirements of ANSI A156.10 Standards for Power Operated Pedestrian Doors. The authorized service / installation dealer must perform all measurements for forces, speeds, and times to insure proper and safe operation.

record-usa is not responsible for improperly adjusted or maintained automatic doors or activation / safety systems and assumes no responsibility for damages caused by automatic door systems that have not been properly installed, tested, and adjusted.

In addition to our standard slider packages, **record-usa** now offers the “**Stormfront**” which provides unmatched protection against damaging winds and debris while providing an attractive compatibility to all types of storefront systems.

The door panels and framing are constructed utilizing the required materials to meet Dade County, Florida specifications.

For tools needed, product inventory, inspection of the opening, and frame assembly information please refer to the 5100 installation instructions. This supplement contains the necessary information for frame preparation, fasteners needed, and glazing requirements.

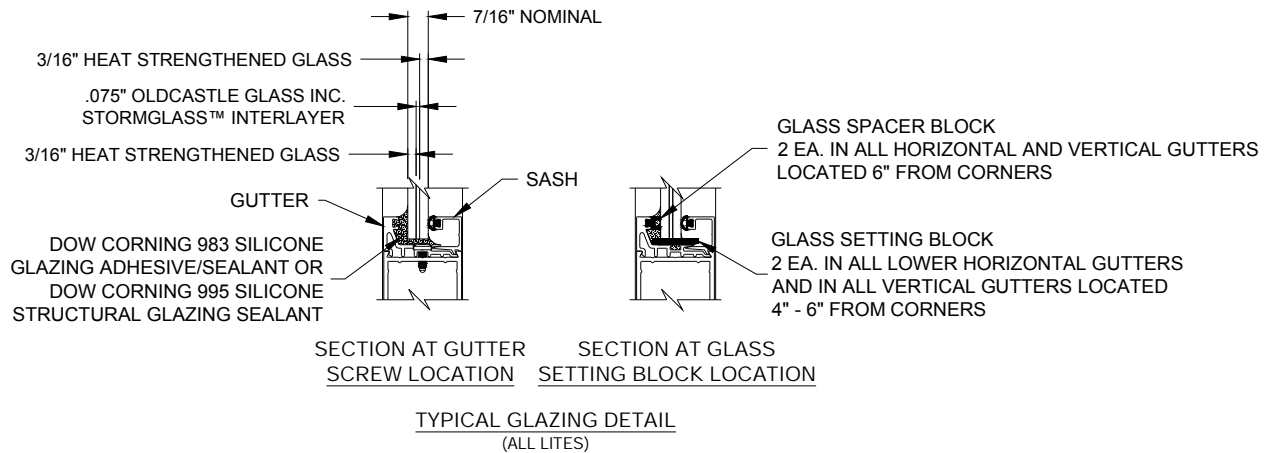
Table of Contents

Introduction and Table of Contents.....	1
Glazing Details and Notes.....	2
Anchor Schedule Single & Bipart Slider & Layout.....	3



5400/5500 Series Sliding Door Installation Supplement

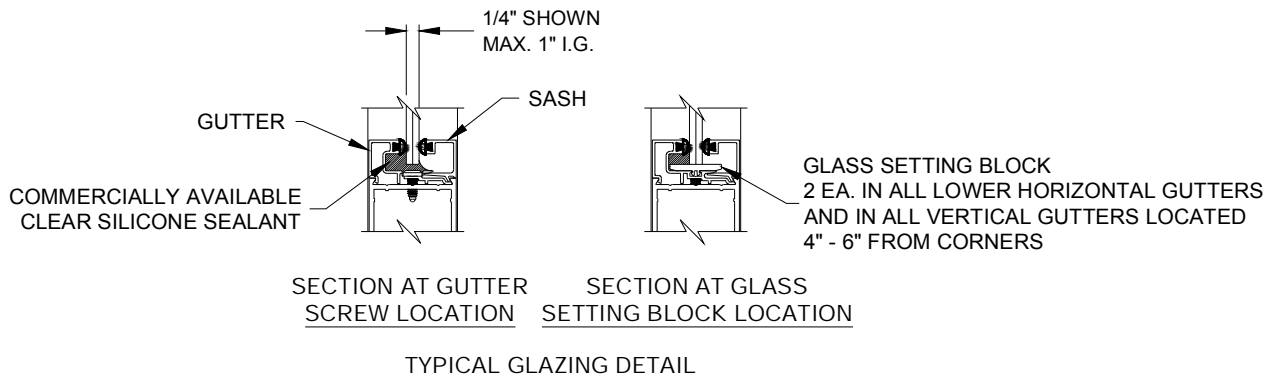
TYPE: 5404 LMI SO-SX, 5405 LMI SX-SO, 5406 LMI SO-SX-SX-SO



NOTES:

1. ALUMINUM FINISH ANODIZED, PAINTED OR POWDER COATED.
2. ACTIVATION AND SAFETY SENSOR, ONE PER SIDE.
3. THRESHOLD PHOTOELECTRIC SAFETY BEAMS AT 24" AND 48" ABOVE FLOOR.
4. DISPLAY CONTROL PANEL (ONE PER UNIT).
- 5a. (5400) GLASS (OLDCASTLE 7/16" LAMINATED IMPACT-RESISTANT STORMGLASS™) AND GLAZING BY AUTHORIZED AND APPROVED **record-usa** INSTALLING DEALER.
- 5b. (5500) GLASS (MIN. 1/4" TEMPERED, MAX. 1" I.G.) AND GLAZING BY AUTHORIZED AND APPROVED **record-usa** INSTALLING DEALER.
6. CAULKING AND SEALING BY AUTHORIZED AND APPROVED **record-usa** INSTALLING DEALER.
7. THE FOLLOWING ITEMS TO BE PROVIDED BY OTHERS:
 - A. FINISHED OPENING PLUMB, SQUARE, AND OF ADEQUATE CONSTRUCTION TO RECEIVE SLIDING DOOR EQUIPMENT.
 - B. 120VAC, 15A, 60HZ, 1 ϕ DEDICATED ELECTRICAL SERVICE TO EACH UNIT.
8. PERIPHERAL FRAMING ELEMENTS MUST BE SECURED TO SURROUNDING ROUGH OPENING WITH APPROPRIATE TYPE AND NUMBER OF FASTENERS SHOWN IN ANCHOR SCHEDULE BELOW.

TYPE 5504 NI SO-SX, 5505 NI SX-SO, 5506 NI SO-SX-SX-SO



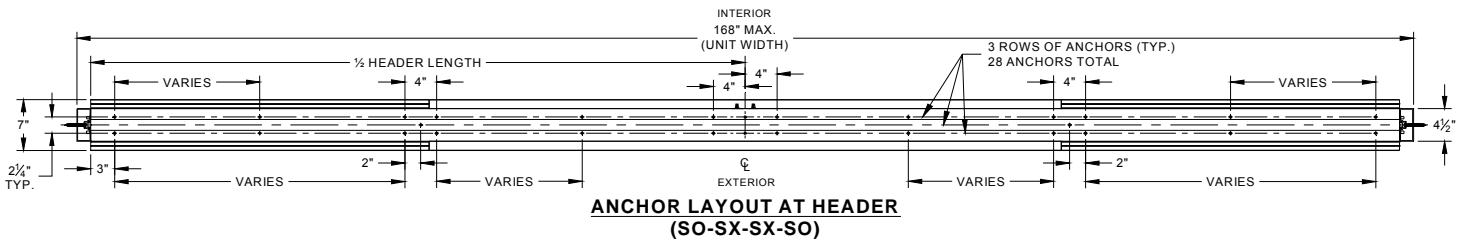


5400/5500 Series Sliding Door Installation Supplement

Preparing Lintel and Sill for Anchors

ANCHOR SCHEDULE						
LOCATION	QUANTITY		ANCHOR TYPE	SUBSTRATE		
	Single	Bipart		CONCRETE	WOOD	STEEL
HEADER	13	28	TAPCON	1/4 X 2 1/4" HEX WASHER HEAD		
			LAG BOLT (GALVANIZED)		1/4 X 2" HEX WASHER HEAD	
			TEK (SDS) SCREW			1/4-14 X 2" HEX WASHER HEAD
SILL (PIN GUIDE & THRESHOLD)	18	32	TAPCON	1/4 X 2 1/4" PHILLIPS FLAT HEAD	1/4 X 2 1/4" PHILLIPS FLAT HEAD	
			TEK (SDS) SCREW			1/4-14 X 1 1/2" PHILLIPS FLAT HEAD
SIDE JAMBS	8 EA.		TAPCON	1/4 X 3 1/4" HEX WASHER HEAD		
			LAG BOLT (GALVANIZED)		1/4 X 2 1/2" HEX WASHER HEAD	
			TEK (SDS) SCREW			1/4-14 X 2" HEX WASHER HEAD

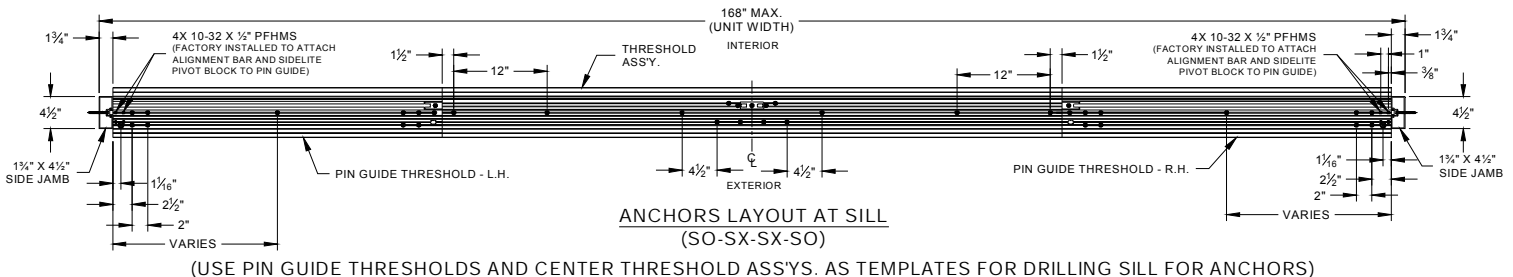
TYPICAL BIPART UNIT ANCHOR PATTERNS



RECOMMENDED METHOD FOR MARKING LOCATIONS OF HOLES FOR HEADER ANCHORS

Cut a piece of the header shipping carton the same length as the header and minimum 4 1/2" wide. Lay this piece on the ground, then place the header upside down on this piece of cardboard, making sure to align one edge of the cardboard with the back side of the header. Mark the location of each of the 28 pre-drilled holes in the top of the header onto the piece of cardboard. Remove the header from the cardboard and punch holes in the cardboard at each marked hole location. Using this cardboard as a drilling marker template, transfer the locations of all 28 holes to the lintel where the header will be anchored.

For single slide units, use the same procedure as described above, except the number of pre-drilled holes in the header is 13 instead of 28.

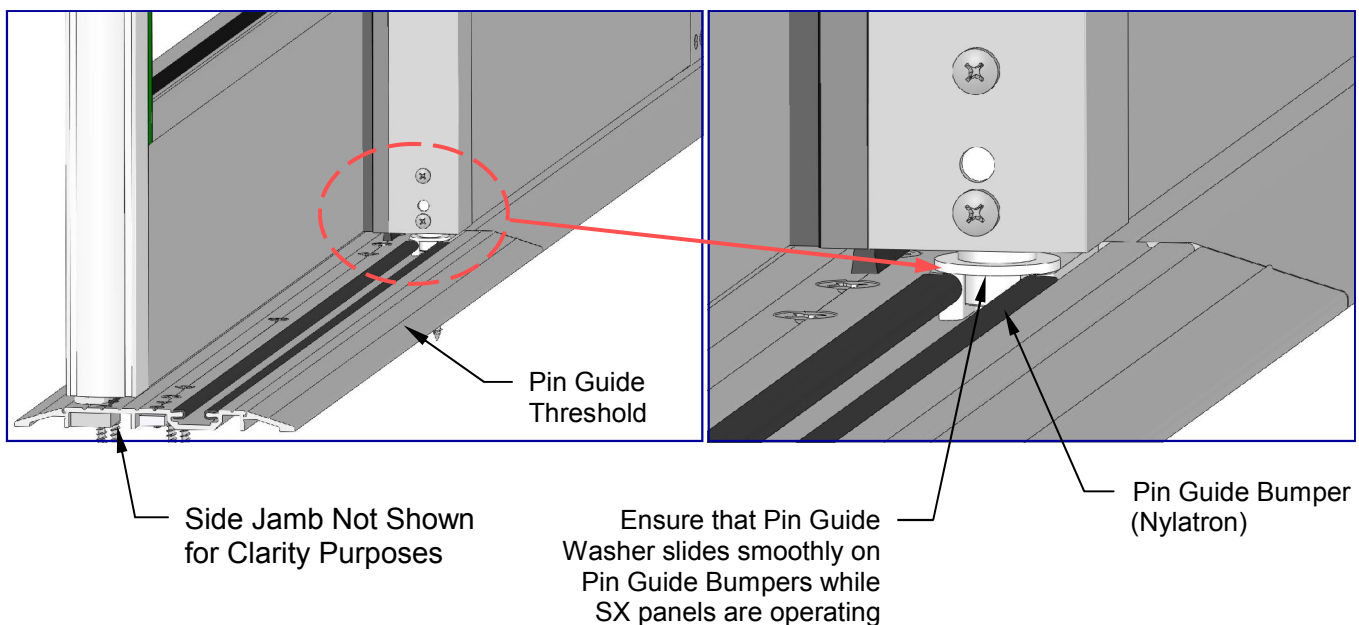
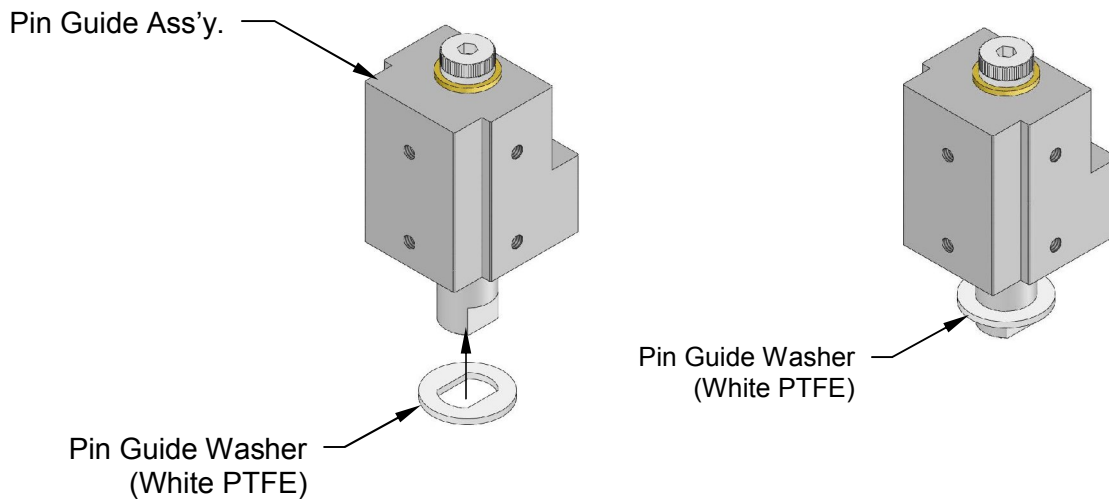




5400/5500 Series Sliding Door Installation Supplement

Pin Guide Assembly Installation and Operation

Pin Guide Assembly is spring loaded to provide proper and consistent penetration of the pin into the Pin Guide Threshold over the entire stroke of the SX panel(s). In order to ensure smooth operation of the unit and maximize the life of the Pin Guide Bumpers (Nylatron) installed in the pin guide threshold, it is essential that a Pin Guide Washer (White PTFE) be installed on each Pin Guide Assembly, as illustrated below. Slide the Pin Guide Washer onto the pin of the Pin Guide Ass'y. prior to insertion of the pin into the Pin Guide Threshold, and make sure that the Pin Guide Washer slides smoothly on top of the Pin Guide Bumpers while the SX panels are operating.

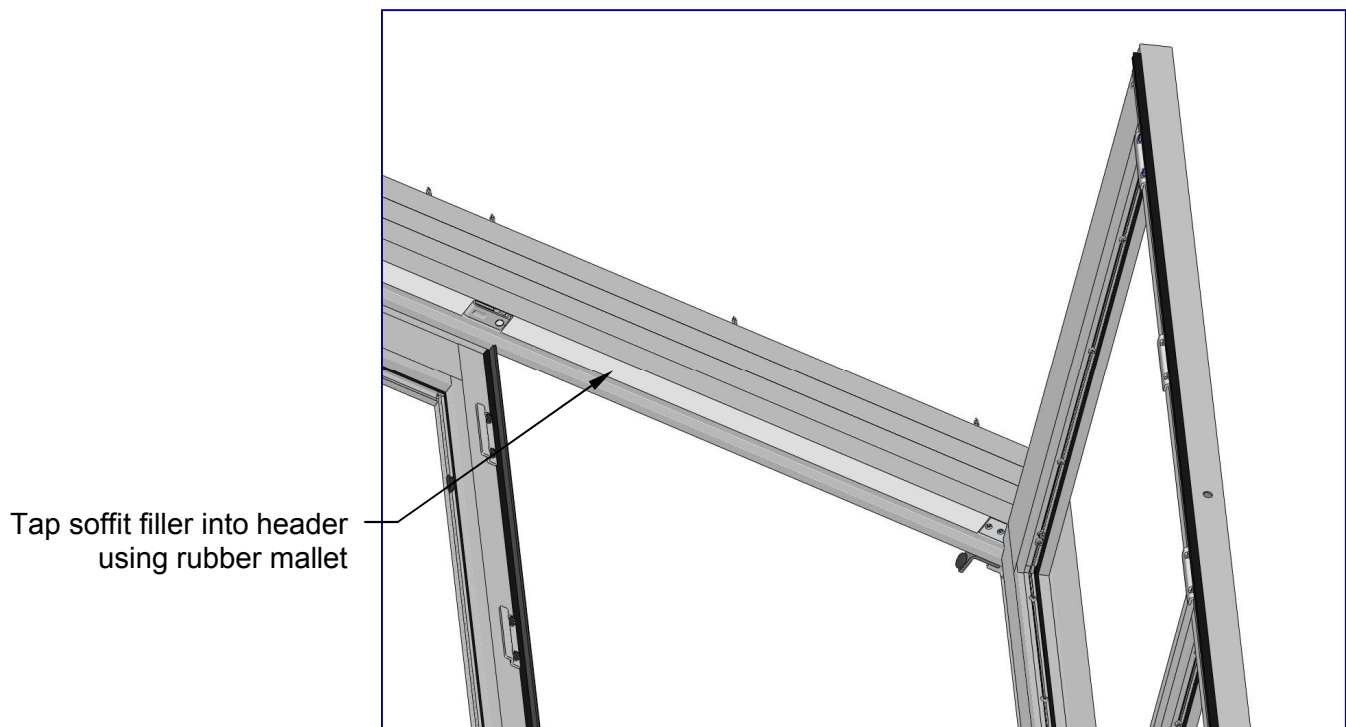
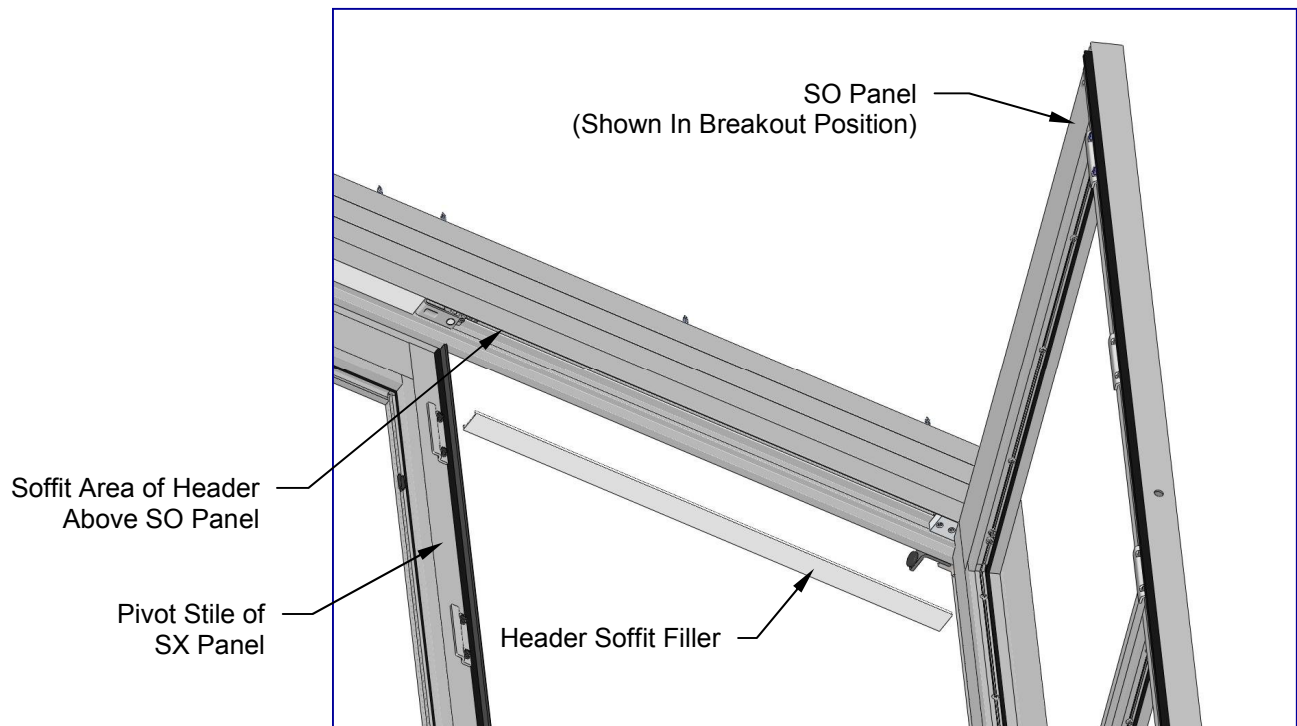


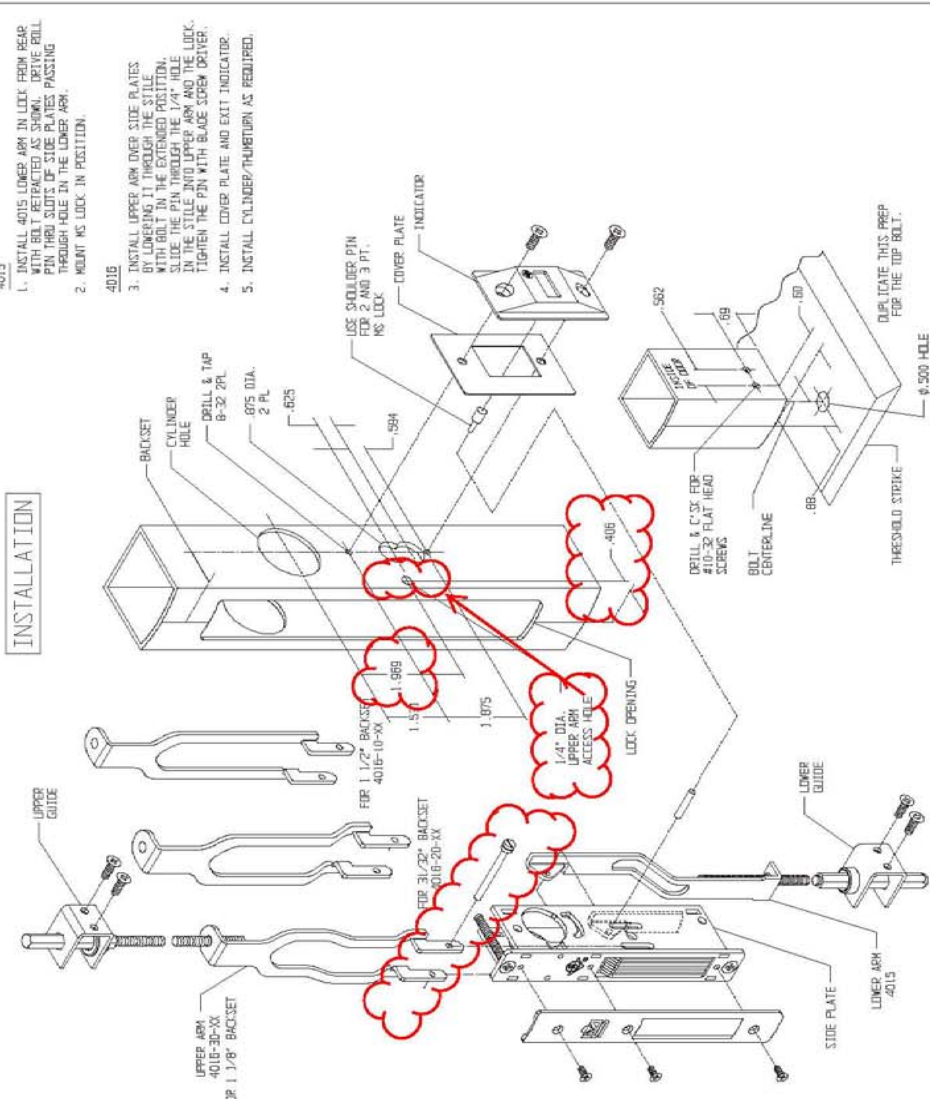
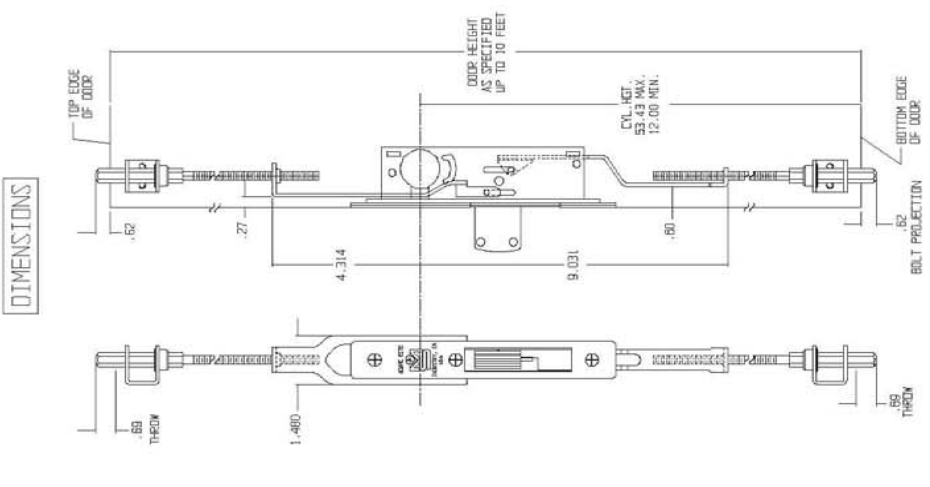


5400/5500 Series Sliding Door Installation Supplement

Install Header Soffit Filler Above SO Panel(s)

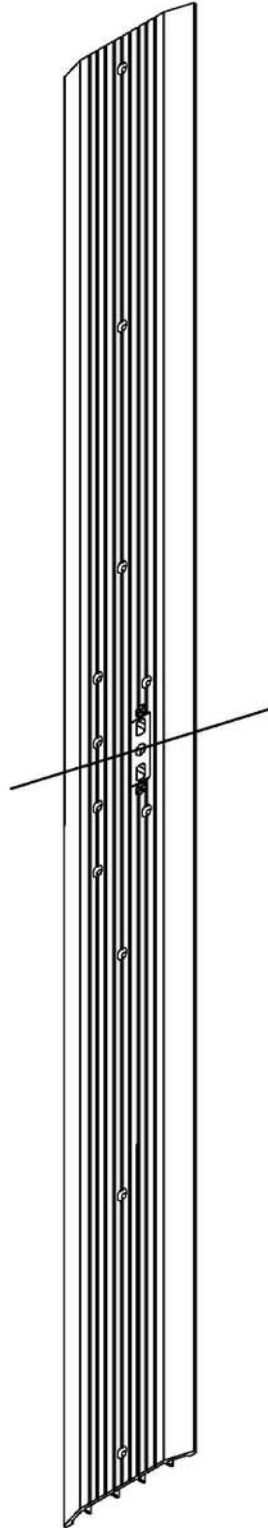
After SO panel(s) are installed, swing SO panel(s) to full breakout position. Install header soffit filler above each SO panel as illustrated below. Fully close all SO panel(s) after soffit filler is installed.



<p>INSTALLATION</p> <p>4015</p> <ol style="list-style-type: none"> 1. INSTALL 4015 LOWER ARM IN LOCK FROM REAR WITH BOLT RETRACTED AS SHOWN. DRIVE BOLT PIN THRU SLOTS OF SIDE PLATES PASSING THROUGH HOLE IN THE LOWER ARM. 2. MOUNT NS LOCK IN POSITION. <p>4016</p> <ol style="list-style-type: none"> 3. INSTALL UPPER ARM OVER SIDE PLATES BY LOWERING IT THROUGH THE STILE WITH BOLT IN THE EXTENDED POSITION. SLIDE THE PIN THROUGH THE 1/4" HOLE IN THE STILE AND UP THROUGH THE LOCK. TIGHTEN THE PIN WITH SCREW DRIVER. 4. INSTALL COVER PLATE AND EXIT INDICATOR. 5. INSTALL CYLINDER/THUMBTURN AS REQUIRED. 		<p style="text-align: center;">4015/4016, 3-POINT LOCK (STANDARD STILES)</p>
<p>DIMENSIONS</p> 	<p style="text-align: center;">ADAMS RITE MANUFACTURING COMPANY CITY OF INDUSTRY, CA 91749</p>	

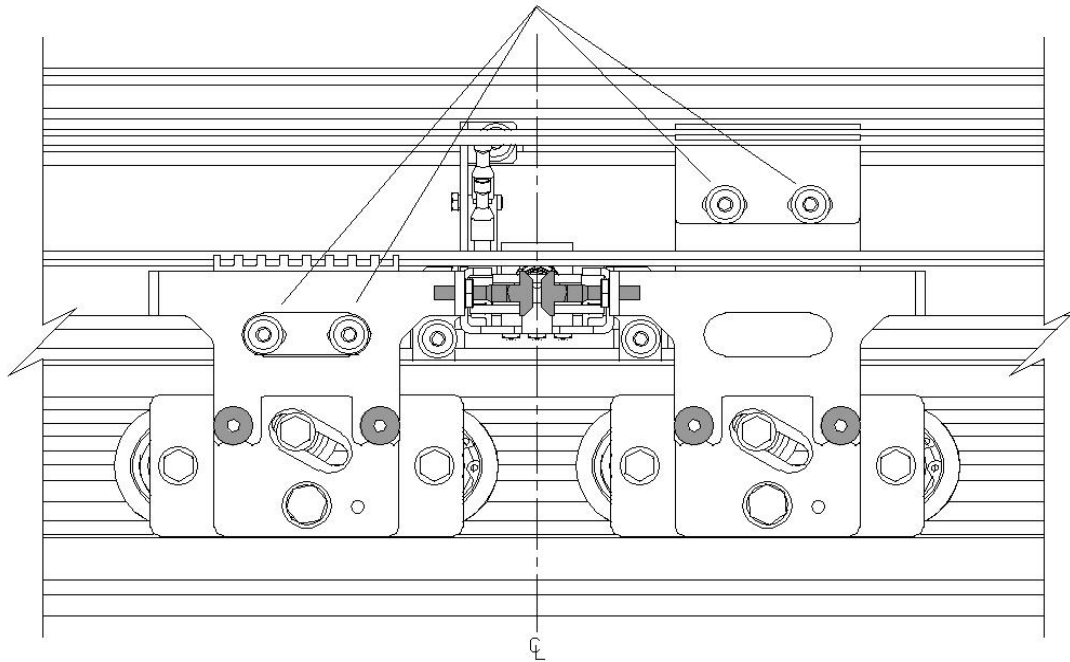
Please see above the access hole noted and where to place it in the inside face of the stile. This will allow removal of the screw pin noted also, for separation of the top rod assy. from the main lock assy. **Note:** When turning screw pin counterclockwise for removal, it is recommended to place a thin screw driver along side the lock assy. to not allow the screw pin to drop in the stile. Once a separation is achieved, the top rod can be raised, allowing the lock assy. with the bottom rod attached to be removed out the lock prep cutout for replacement or repair.

HURRICANE THRESHOLD - BIPART UNIT



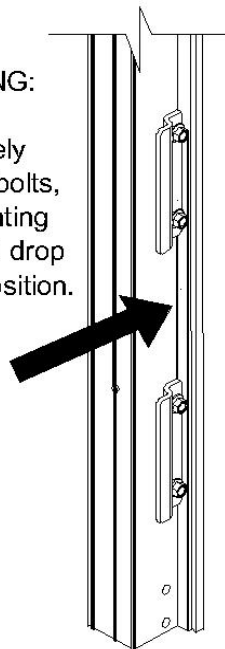
WHEN WORKING WITH A BIPART SLIDER, DRAW A LINE DEAD CENTER WITH MAGIC MARKER AT FASTENING SCREW OF THRESHOLD BOLT RECEIVER, AND THEN PULL DOORS TO THE FULL CLOSED POSITION TO DETERMINE THAT THEY ARE MEETING AT THE CENTER MARK.

Fine tune adjustment for Door placement and lock/threshold bolt alignment.
Belt brackets are slotted for adjustment up to $\frac{3}{8}$ ". For a larger adjustment, loosen brackets enough to jump a tooth on the belt.



Section: Header

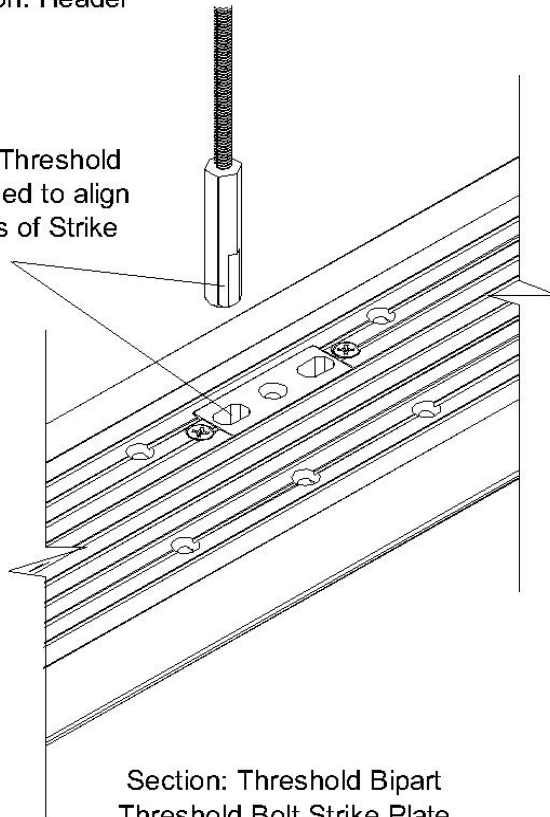
WARNING:
Do not completely remove bolts, for mounting strap will drop out of position.



Section: Pivot Stile

Be sure Interlocks are pushed entirely against the weatherpile channel of both Door & Sidelite.

Flats of Threshold Bolt turned to align with flats of Strike Plate

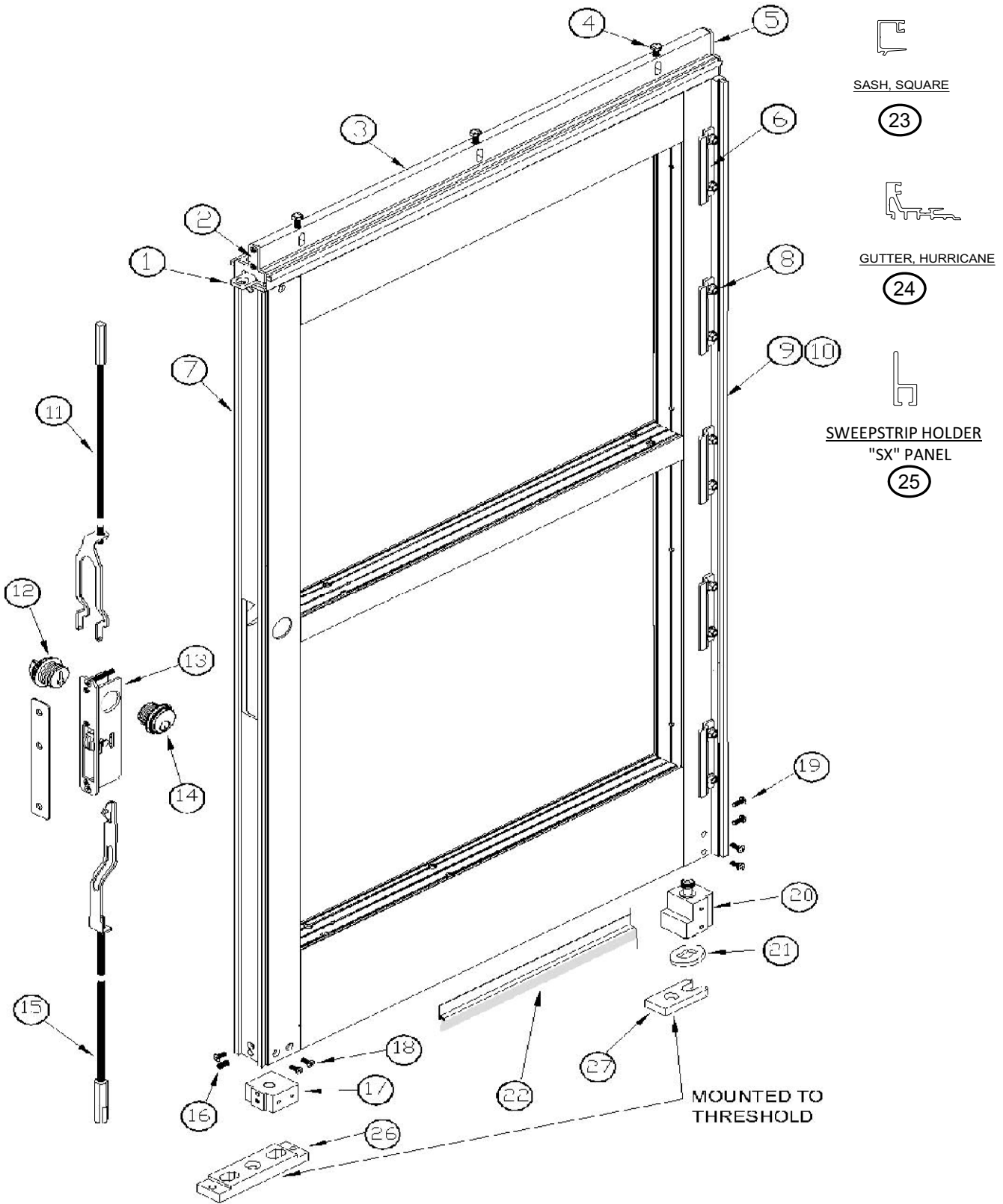


Section: Threshold Bipart
Threshold Bolt Strike Plate



5400/5500 HURRICANE RATED SLIDING DOOR SX PANEL

10-11



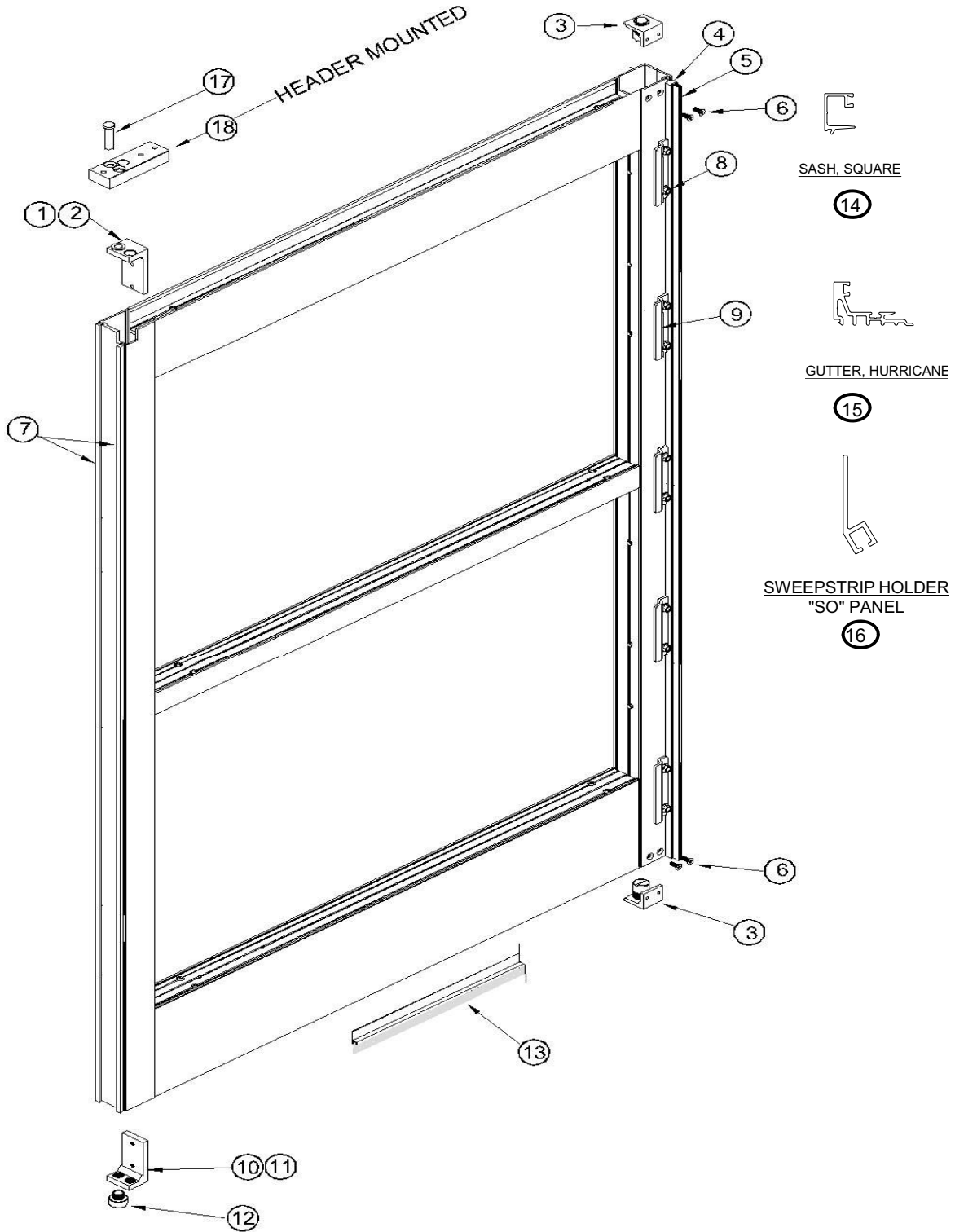


5400/5500 HURRICANE RATED SLIDING DOOR SX PANEL PARTS LIST

6-12

ITEM	PART NUMBER	DESCRIPTION	QTY.	LIST PRICE
~~	4-54-xxxx	HURRICANE RATED "SX PANEL"	1	
		REPLACEMENT PARTS		
1	4-51-1064	PLATE, DOOR INTERLOCK, RH LEAF OF BIPART	1	
2	4-59-1020	END CAP, DOOR CATCH, (POSITIVE LATCH)	1	
3	5-51-4006-CL	DOOR CATCH, CL-DB	1	
4	81-0718-3666	BOLT, 1/4-20X3/4"HHS, GR 5, W NYLON PATCH	3	
5	4-51-1049	END CAP, DOOR CATCH	1	
6	4-51-7002	INTERLOCK, DOOR	5	
~	4-40-1002	MOUNTING STRAP, INTERLOCK (not shown)	5	
7	9-99-7363	WEATHERPILE, MOHAIR, FIN, BLACK	~	
8	81-0017-3664	SCREW, 1/4-20X5/8" HWHMS, GR. 8.	6	
~	81-0017-3662	SCREW, 1/4-20X1/2" HWHMS, GR. 8.(top 2 interlocks)	4	
9	6-51-9002	CHANNEL, WEATHERPILE, 14ft.	1	
10	9-99-7360	WEATHERPILE, CHANNEL, FIN, BLACK	1	
11	9-99-0075	HEADER BOLT SET, 31/32 B/SET	1	
12	9-99-0069-CL	CYLINDER, THUMBTURN, CL-DB	1	
13	9-99-0067	FLUSHBOLT, CYL. OPERATED, 31/32 B/SET(w/faceplate)	1	
14	9-99-0064-CL	KEY CYLINDER, CL-DB (pair)	1	
15	9-99-0074	BOLT, THRESHOLD	1	
16	9-99-0113	PLUNGER, SPRING LOADED DEVICE	1	
17	4-51-4265	BLOCK, FLUSHBOLT SUPPORT	1	
18	81-0011-0562	SCREW, 10-32X1/2" PFHMS	7	
19	81-0074-0558	SCREW, 10-32X1/2" PPHMS, STAINLESS STEEL	4	
20	4-51-0093	BOTTOM PIN GUIDE ASSY., HURRICANE	1	
21	9-51-0015	WASHER, PIN GUIDE ASSY., HURRICANE	1	
22	9-99-7362	BRUSH, AIR/SMOKE BARRIER, 8ft.S/L	1	
23	5-11-4040-CL	SASH, 1/4" SQUARE, CL-DB	~	
24	5-11-4044-CL	GUTTER, HURRICANE	~	
25	9-99-7347-BL	BRUSH HOLDER, STRAIGHT, BL, 8ft S/L W/ITEM 22	~	
26	4-51-7006	STRIKE PLATE, LOCKBOLT (BIPART)	1	
27	4-51-7005	PLATE, PIN GUIDE SUPPORT	1	
~	4-51-7010	STRIKE PLATE, LOCKBOLT (SINGLE) (not shown)	1	

5400/5500 HURRICANE RATED SWING OUT SIDELITE SO PANEL





5400/5500 HURRICANE RATED SWING OUT SIDELITE SO PANEL PARTS LIST

6-12

ITEM	PART NUMBER	DESCRIPTION	QTY.	LIST PRICE
~~	4-54-XXXX	HURRICANE RATED "SO PANEL"	1	
		REPLACEMENT PARTS		
1	4-11-0432	ASSY., PIVOT ANGLE, LH (top)	1	
2	4-11-0433	ASSY., PIVOT ANGLE, RH (top)	1	
3	4-51-0095	ROLLER CATCH ASSY. (top & bottom)	2	
4	6-51-9002	CHANNEL, WEATHERPILE, 14 ft. LENGTH	1	
5	9-99-7360	WEATHERPILE, CHANNEL, BL., FIN	~	
6	81-0011-0562	SCREW, 10-32X1/2" Ph, FH, MS	4	
7	9-99-7360	WEATHERPILE, CHANNEL, BL., FIN	~	
8	81-0017-3664	SCREW, 1/4-20X5/8" HWHMS, GR. 8	10	
9	4-51-7002	INTERLOCK, DOOR	5	
~	4-40-1002	MOUNTING STRAP, INTERLOCK (not shown)	5	
10	4-11-0434	ASSY., PIVOT ANGLE, LH (bottom)	1	
11	4-11-0435	ASSY., PIVOT ANGLE, RH (bottom)	1	
12	4-51-7003	BUSHING, SIDELITE PIVOT (bottom)	1	
13	9-99-7362	BRUSH, AIR/SMOKE BARRIER, 8ft S/L	1	
14	5-11-4040-CL	SASH, 1/4" SQUARE, CL-DB	~	
15	5-11-4044-CL	GUTTER, HURRICANE, CL-DB	~	
16	9-99-7348-BL	BRUSH HOLDER, BEVELED, BL, 8ft S/L W/ ITEM 13	~	
17	9-58-0008	PIN, CLEVIS	1	
18	4-51-4152	BLOCK, UPPER SIDELITE PIVOT	1	