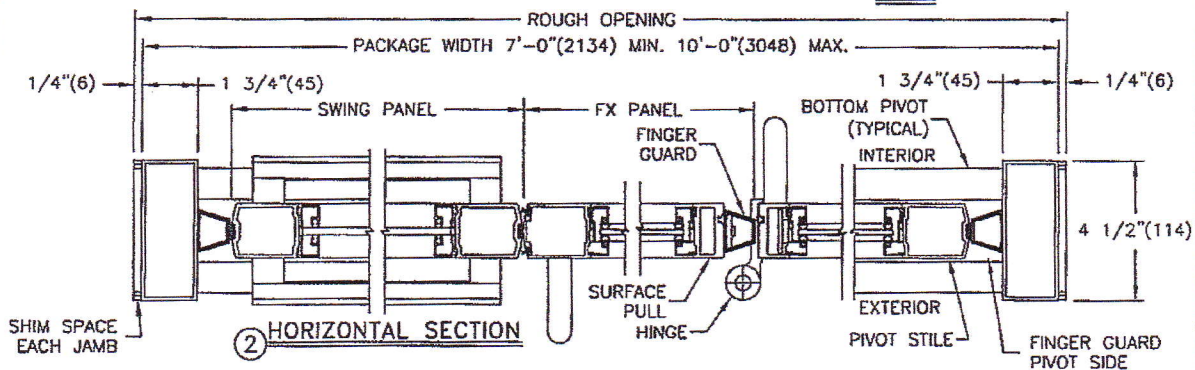
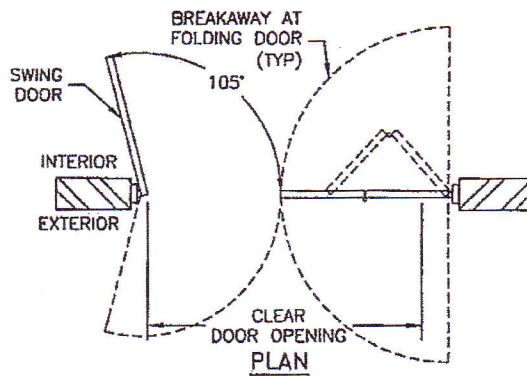
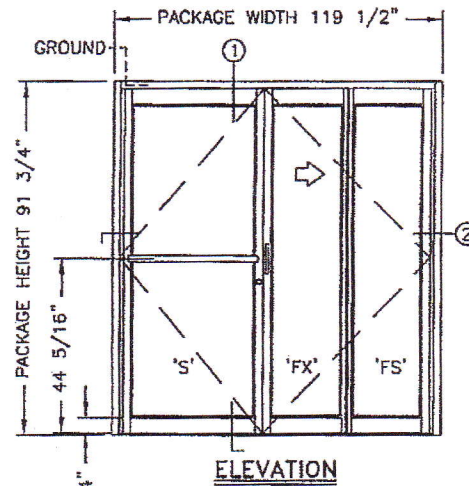
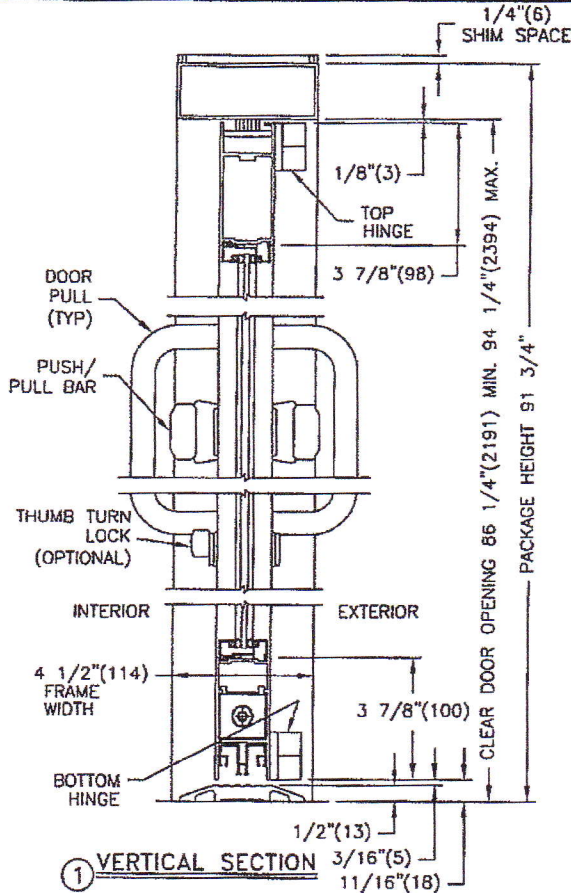


PLEASE CONFIRM FOLD IN DESIGN !!!

**STANLEY**

JOB NAME SHANDS  
 LOCATION STARK, FL  
 DOOR NUMBER 3 OF 9 DOOR PACKAGES  
 SHEET        OF        CLEAR ANODIZED FINISH

**SERIES 7600**  
**ICU DOOR SYSTEM**  
**FOLD IN RIGHT HAND**



SAMPLE PACKAGE WIDTH INFORMATION

PACKAGE WIDTH	NOMINAL CLEAR DOOR OPENING	SWING DOOR PANEL OPTIONS
10'-0"	99 3/4"	48"

ROUGH OPENING DIMENSIONS:  
 120"W X 92"H

**NOTES**

1. DETAILS NOT TO SCALE
2. GROUND DOOR TO BUILDING GROUNDING SYSTEM
3. SEE APPENDIX FOR ADDITIONAL INFORMATION

**7600 FORMULAS**

CLEAR DOOR OPENING = PACKAGE WIDTH - 20 1/4"

## Functional Description

This Stanley Access Technologies Dura-Care Series ICU/CCU Door System is designed specifically for this highly important Hospital environment with many function developed to meet the requests of hospital professionals and end-users. SAT Engineers work tirelessly to ensure that the functions and features of our Dura-Care ICU/CCU Door Systems provide wide clear door opening, easy access to patients and equipment, and functional ease of use.

Once the door system is installed in the ICU/CCU environment, it is functional and ready to use. If the package is a tracked slide door system, the moveable door panels should open easily over the floor track. If the package is a more-common trackless system, the moveable door system should move effortlessly and close the same way.

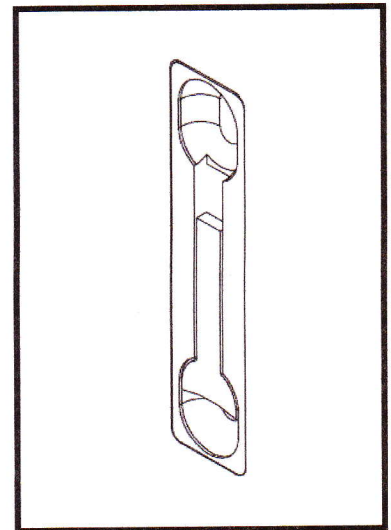
## Operation

Operation of the Dura-Care Series ICU/CCU Door System should be basic and easy. In sliding door packages the moving panel should move free and easy in both tracked and trackless applications. In ICU/CCU Swing applications the active door panel should move freely in the main direction of egress.

### Breakout:

One important feature is the ability to “breakout” the door panels to aid the egress of patients and equipment. To enable the breakout feature when available, use the following procedure:

1. Hold area around the lead edge of the sliding door panel
2. Release flush bolt from lead edge of the door panel by grasping bottom of bolt and moving to the top position. (see graphic at right)
3. Move door panel as wide as required for the task being performed.
4. To re-attach door panel after breakout, move panel back to original position.
5. Line-up door panel with header track above and move flush bolt back to original position to secure door panel with door package.
6. Door panel should then again move in track of the door.



ICU/CCU Flush Bolt