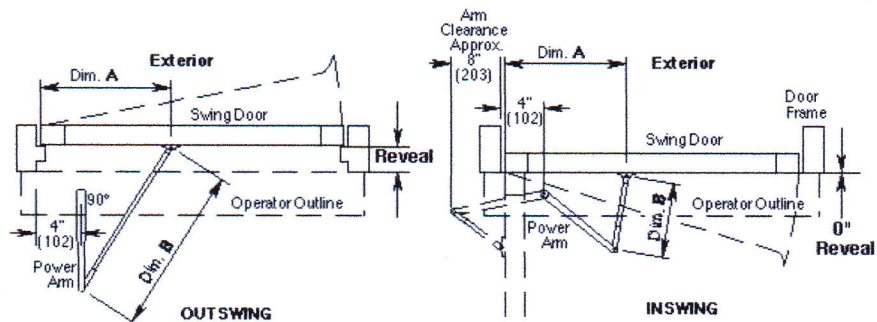


Arm Length Chart



Butt Hinge or Offset Pivot

Center Pivot 2 3/4"

Reveal	Butt Hinge or Offset Pivot				Center Pivot 2 3/4"				Note (if any)
	Inswing		Outswing		Inswing		Outswing		
	A	B	A	B	A	B	A	B	
0	13 (303)	10 (254)	16 (406)	17 1/8 (435)	17 (432)	9 (229)	16 (406)	16 1/2 (419)	
1/2 (13)	13 (303)	10 (254)	16 (406)	17 1/2 (445)	17 (432)	9 (229)	16 (406)	16 7/8 (429)	
1 (25)	13 (303)	10 (254)	16 (406)	17 3/4 (451)	17 1/2 (445)	9 1/2 (241)	16 (406)	17 (451)	
1 1/2 (38)	14 (356)	10 (254)	16 (406)	18 1/4 (464)	18 1/2 (445)	9 1/2 (241)	16 (406)	17 3/4 (432)	
2 (51)	14 (356)	10 1/2 (268)	16 (406)	18 1/4 (464)	18 (457)	10 (254)	17 (432)	18 3/4 (476)	
2 1/2 (64)	14 (356)	11 1/2 (292)	16 1/2 (419)	19 1/4 (489)	19 (483)	10 1/2 (268)	17 (432)	19 (483)	
3 (76)	15 (381)	12 1/2 (317)	16 1/2 (419)	19 3/4 (502)	19 (483)	10 1/2 (268)	18 (457)	20 (508)	
3 1/2 (89)	16 (406)	11 (279)	16 1/2 (419)	20 1/8 (511)	19 (483)	10 1/2 (268)	18 (457)	20 1/2 (521)	
4 (102)	17 (432)	12 (305)	17 (432)	20 3/4 (527)	25 (635)	17 (432)	19 (483)	21 1/2 (546)	
4 1/2 (126)	N/A	N/A	18 (457)	21 1/2 (546)					
5 (127)	N/A	N/A	18 (457)	22 7/8 (581)					
5 1/2 (140)	N/A	N/A	18 (457)	23 (584)					
6 (152)	N/A	N/A	18 (457)	23 3/4 (603)					
6 1/2 (165)	N/A	N/A	18 (457)	24 (610)					
7 (178)	N/A	N/A	18 (457)	24 1/2 (622)					
7 1/2 (191)	N/A	N/A	18 (457)	24 7/8 (632)					
8 (203)	N/A	N/A	18 (457)	25 1/4 (641)					
8 1/2 (216)	N/A	N/A	18 (457)	25 1/2 (648)					Requires C5254-3 Special Extended Connecting Rod
9 (229)	N/A	N/A	18 (457)	26 1/8 (664)					Requires C5254-3 Special Extended Connecting Rod
9 1/2 (241)	N/A	N/A	18 (457)	26 1/2 (673)					Requires C5254-3 Special Extended Connecting Rod
10 (254)	N/A	N/A	18 (457)	26 7/8 (683)					Requires C5254-3 Special Extended Connecting Rod
10 1/2 (267)	N/A	N/A	18 (457)	27 3/8 (695)					Requires C5254-3 Special Extended Connecting Rod
11 (279)	N/A	N/A	18 (457)	27 7/8 (708)					Requires C5254-3 Special Extended Connecting Rod
11 1/2 (292)	N/A	N/A	18 (457)	28 1/4 (718)					Requires C5254-3 Special Extended Connecting Rod
12 (305)	N/A	N/A	18 (457)	28 3/4 (730)					Requires C5254-3 Special Extended Connecting Rod
12 1/2 (318)	N/A	N/A	18 (457)	29 1/8 (740)					Requires C5254-3 Special Extended Connecting Rod
13 (330)	N/A	N/A	18 (457)	29 1/2 (749)					Requires C5254-3 Special Extended Connecting Rod
13 1/2 (343)	N/A	N/A	18 (457)	30 (762)					Requires C5254-3 Special Extended Connecting Rod
14 (356)	N/A	N/A	18 (457)	30 3/8 (772)					Requires C5254-3 Special Extended Connecting Rod
14 1/2 (368)	N/A	N/A	18 (457)	30 7/8 (784)					Requires C5254-3 Special Extended Connecting Rod
15 (381)	N/A	N/A	18 (457)	31 3/8 (797)					Requires C5254-3 Special Extended Connecting Rod
15 1/2 (394)	N/A	N/A	24 (610)	31 7/8 (810)					Requires C5254-3 Special Extended Connecting Rod
16 (406)	N/A	N/A	24 (610)	40 3/8 (1026)					Requires C5254-3 Special Extended Connecting Rod and C4239 Long Power Arm Assy.
16 1/2 (419)	N/A	N/A	24 (610)	40 1/2 (1029)					Requires C5254-3 Special Extended Connecting Rod and C4239 Long Power Arm Assy.
17 (432)	N/A	N/A	24 (610)	40 3/4 (1035)					Requires C5254-3 Special Extended Connecting Rod and C4239 Long Power Arm Assy.
17 1/2 (445)	N/A	N/A	24 (610)	40 7/8 (1038)					Requires C5254-3 Special Extended Connecting Rod and C4239 Long Power Arm Assy.
18 (457)	N/A	N/A	24 (610)	41 1/4 (1048)					Requires C5254-3 Special Extended Connecting Rod and C4239 Long Power Arm Assy.
18 1/2 (470)	N/A	N/A	24 (610)	41 5/8 (1057)					Requires C5254-3 Special Extended Connecting Rod and C4239 Long Power Arm Assy.
19 (483)	N/A	N/A	24 (610)	42 1/8 (1070)					Requires C5254-3 Special Extended Connecting Rod and C4239 Long Power Arm Assy.
19 1/2 (495)	N/A	N/A	24 (610)	42 1/2 (1080)					Requires C5254-3 Special Extended Connecting Rod and C4239 Long Power Arm Assy.

20 (508)	N/A	N/A	24 (610)	42 7/8 (1089)
20 1/2 (521)	N/A	N/A	24 (610)	43 3/8 (1102)
21 (533)	N/A	N/A	24 (610)	43 7/8 (1114)

Requires C5254-3 Special Extended Connecting Rod and C4239 Long Power Arm Assy.

Requires C5254-3 Special Extended Connecting Rod and C4239 Long Power Arm Assy.

Requires C5254-3 Special Extended Connecting Rod and C4239 Long Power Arm Assy.