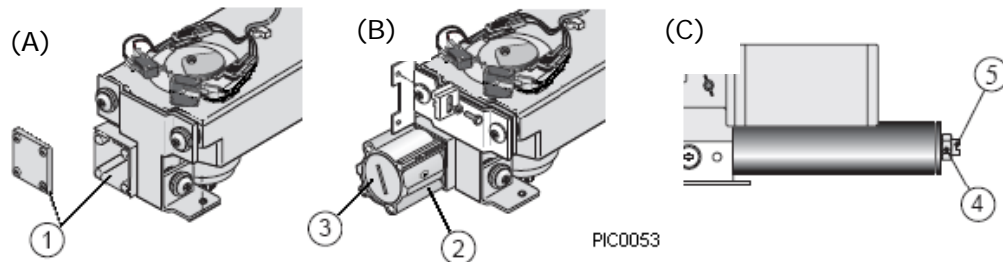


PIC0071

(1) Back Check Switch	(3) Break Out Switch	(5) Top Cam
(2) Bottom Cam	(4) Latch Switch	(6) Home Switch

Adjustment of built-in mechanical full open door stops

The built-in mechanical full open stops are factory set to 90 degrees. If needed, the full open stops can be adjusted as shown below.



PIC0053

(A) Left Hand Overhead Concealed

Remove the square end cap (1) to access the LH adjustment screw. Turn the screw out to decrease the opening angle, in to increase. Reinstall square cap.

(B) Left Hand Surfaced Applied

Loosen set screw (2).

Adjust end cap screw (3) for opening angle. Screw out to increase, and in to decrease. If additional adjustment is needed, remove the end cap and adjust the internal screw as per step "A". Replace end cap.

(C) Right Hand Overhead Concealed and Surfaced Applied

Loosen door stop lock nut (4)

Adjust bolt (5) for opening angle. Screw out to increase, and in to decrease.

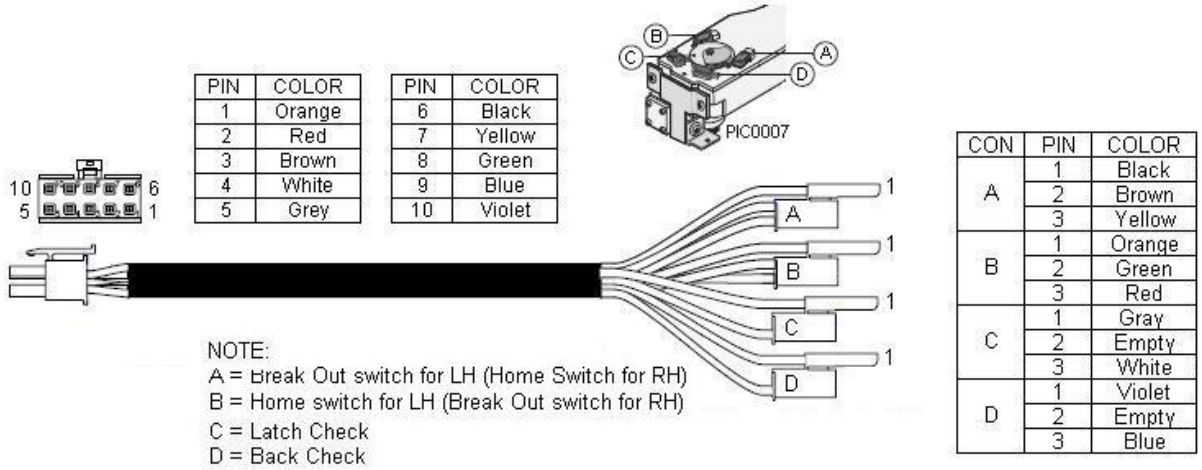
Note!

It is recommended that an extra mechanical doorstop be provided to prevent damage due to misuse and high wind situations. Check with local codes to verify that such a doorstop is permissible.

Caution!

If this is an inswing door used for egress, check local codes before adding any doorstops!

Cam Switch Harness Detail



RFS001A