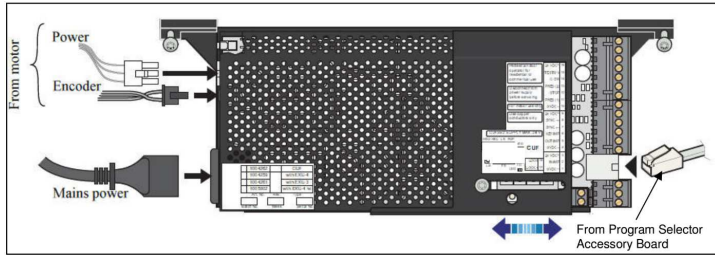
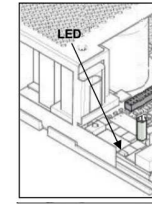
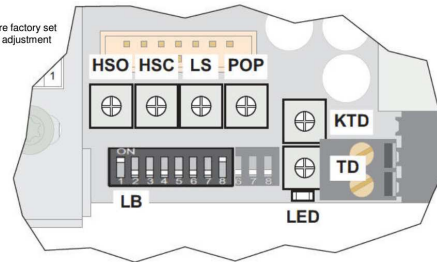


Note: Ultraview might not work with Black controller.

Besam Unislide CUF Black control comparison to the CU Control.



Note!
The potentiometers are factory set to approx. 50% of the adjustment range.

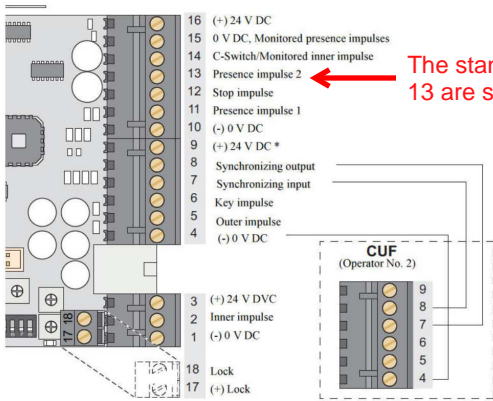


LED indication

- Sensor error**
1 fast flash (0,2s), pause (1,0s) etc.
- Emergency Unit error**
2 fast flashes (0,4s), pause (1,0s) etc.
- CUF Error**
3 fast flashes (0,6s), pause (1,0s) etc.
- Motor/Encoder error**
4 fast flashes (0,8s), pause (1,0s) etc.
- Lock error**
5 fast flashes (1,0s), pause (1,0s) etc.
- Motor Temperature High**
1 slow flash (1,8s), pause (0,2s) etc.
- Normal operation/Non-Critical errors**
Illuminated

Parameter (speed applies to single panel)	
HSO	High speed opening 0.10 – 0.70 m/s (0.33 – 2.30 ft/s)
HSC	High speed closing 0.10 – 0.70 m/s (0.33 – 2.30 ft/s)
LS	Low speed 0.05 – 0.70 m/s (0.17 – 2.30 ft/s)
POP	Partial opening position 0 – 100%
KTD	Key Hold open time 0 – 60s
TD	Hold open time 0 – 60s
LB	Learn button See page
LED	Error indication See page

Unit has two new adjustments.



The standard control, 12 and 13 are swapped.

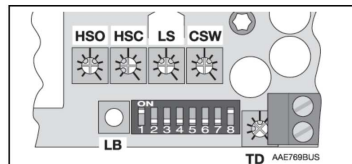
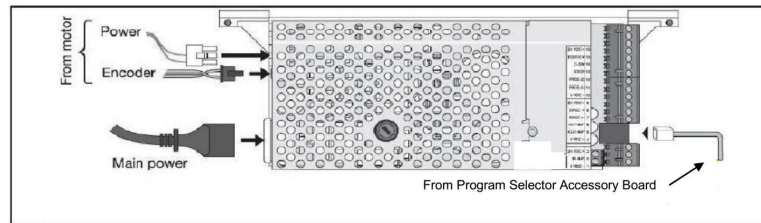
Wiring remains the same

Sensor Error

LED indication: 1 flash (0,2s), pause (12,0s), etc.

CT Error Code	Reason	Remedy
Presence Impulse Error	The control unit doesn't get a test answer from the activation unit.	Make sure that the monitoring output is connected and the connections are OK. Replace the presence activation unit.
Slide Presence Impulse Error	The control unit doesn't get a test answer, from the activation unit.	Make sure that the monitoring output is connected and the connections are OK. Replace the side presence activation unit.
Inner Impulse Error	The control unit doesn't get a test answer, from the activation unit.	Replace the presence activation unit. Adjust sensor field so that the sensor can give a test answer.

More Errors to help diagnosed the control.



Note!
Potentiometers factory settings see arrows on potentiometers

Parameter (speed applies to single panel)	
HSO: High speed opening	0.10 – 0.70 m/s (0.33– 2.30 ft/s)
HSC: High speed closing	0.10 – 0.70 m/s (0.33– 2.30 ft/s)
LS: Low speed	0.05 – 0.70 m/s (0.17 – 2.30 ft/s)
CSW: C-switch distance	Min. = 0 mm / Middle = 700 mm (2.3 ft) / Max. = 1400 mm (4.6 ft)
TD: Hold open time	0 – 60 s (setting applies also to "Partial Hold Open Time")
LB: Learn button	

Error Indication

During normal operation the LED indicator on the control unit is illuminated.

The flashing light on the LED or an extinguished LED indicates that the operator is out of function or waiting for monitoring acknowledgement.

LED Flash Frequency	Reason	Remedy
4 fast flashes, pause; repeats	Motor temperature high	Waiting one minute for the operator to recover. If necessary replace the control unit.
2 fast flashes, pause; repeats	EEProm access error	Reset the operator. Replace the control unit if necessary.
Continues; no pause	Battery System	Check battery connection Check battery fuse Check that battery is charged
	Motor /Encoder	Check motor connection Check encoder connection Check door moves with low friction Check that EXU-1 or EXU-3 is seated properly Replace the motor/encoder unit Replace the control unit
	Processor error	Press reset