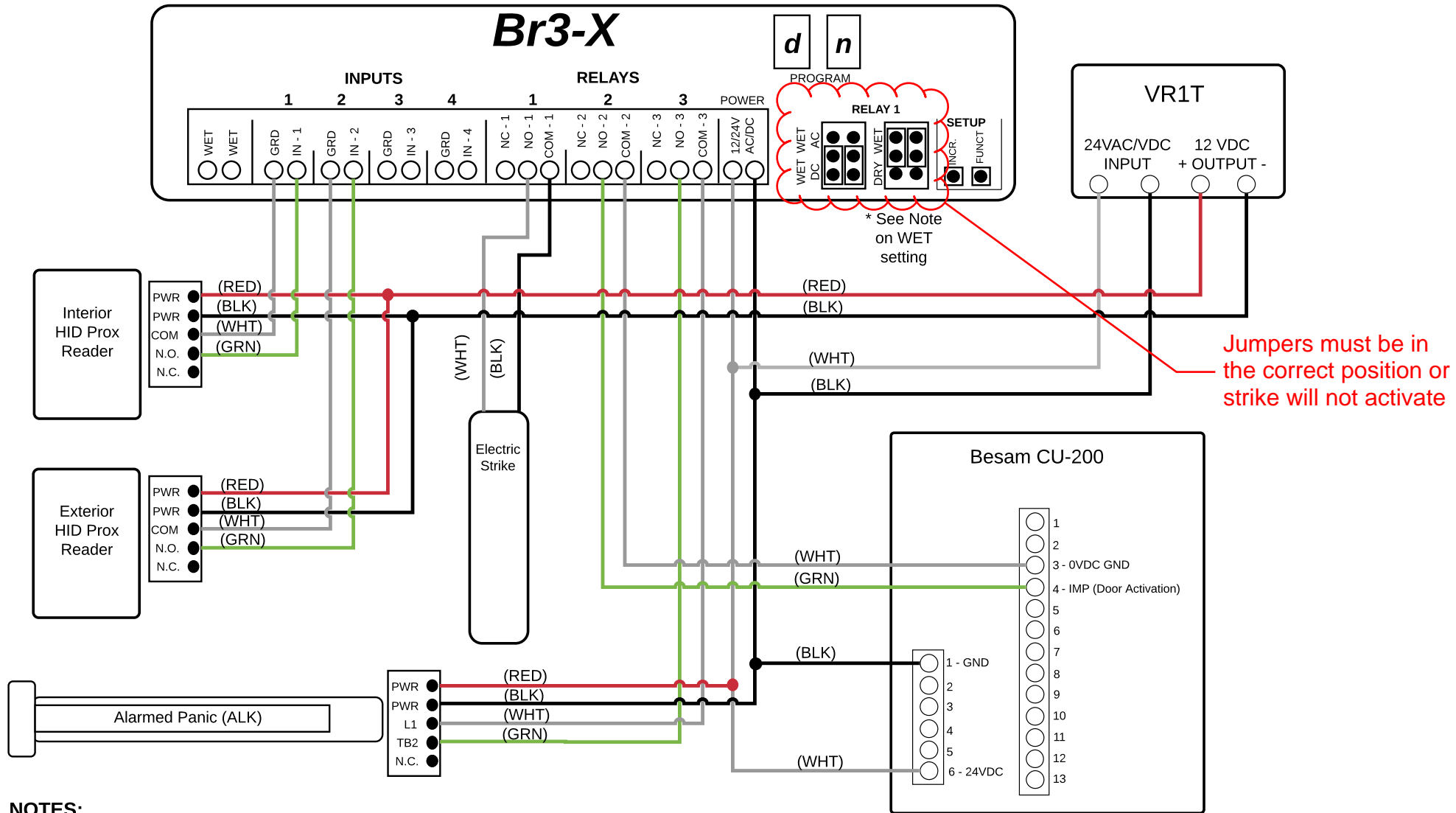


Both card readers should be wired into Input 1 for now until the Day/Night feature is utilized

Walmart OGP Br3-X diagram

If not getting an activation signal, run Relay 2 NO-2 to input 6 on the CU-200 instead of input 4



Jumpers must be in the correct position or strike will not activate

NOTES:

- Before powering the Br3-X move the (2) jumpers from "DRY" to "WET". This will allow "relay 1" to provide 24VDC to the Electric Strike. **Never** make jumper adjustments while the Br3-X is powered for risk of serious damage. **Always** move both jumpers when changing jumper settings.
- To program - Step 1 - Hold the (INCR.) and (FUNCT) simultaneously for 3 seconds and release. Step 2 - Use the "INCR." button and adjust to "dn" (day / night mode). Step 3 - Set hold times and delay times for each relay. See suggested settings below and refer to Br3-X manual provided with unit for more details.
- Relay Settings:
 - h1 = 3 This will supply a 3 second hold time in the electric strike.
 - h2 = 1 This will supply a 1 second hold time to activate the door.
 - h3 = 25 This will supply a 25 second deactivation of the ALK to cover the duration of the door open cycle. **Will need to match the door's open time**
 - d1 = .2 This will supply a 1/2 second delay between relay 1 and relay 2
 - d2 = 00 This will supply no delay between relay 1 and relay 3
- Provide an activation to save settings.