

DC4000 Heavy Duty Low Energy Swing Door Operator



Door Controls USA, Inc.

doorcontrolsUSA.com



Pair of Doors Application

Once the activating switch is pressed, the DC4000 operator slowly opens the door and holds it open for an adjustable, delayed length of time. This creates a barrier-free doorway and gives the pedestrian time to pass through the door before it slowly closes using spring force of less than 15 pounds.

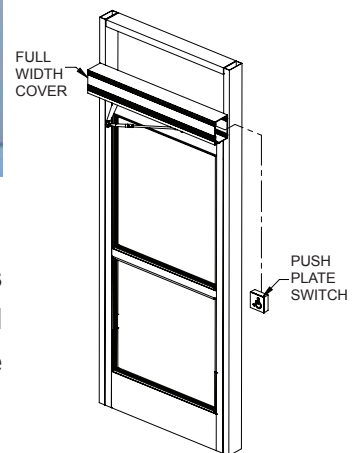
Designed for high traffic and extra large barrier-free doors, the DC4000 is compliant with ANSI A156.19.

Standard system features and benefits:

- Heavy duty gear drive and 1/8 HP motor designed for high wind conditions, stack pressure and high volume pedestrian traffic. Appropriate for heavy or oversized doors.
- Mounting type: Surface mount
- Available for butt hung or offset pivot door
- Ease of install with no structural changes required

ADDITIONAL FEATURES/BENEFITS:

- Automatic activation by pushing or pulling door panel
- Reversing and obstruction sensing
- Easily adjustable opening & closing speeds
- Manual operation in case of power failure
- Available in Dark Bronze or Clear Anodized Finish
- 1 Year Warranty



Push Plate Activation



Handicap Accessible

062316

800-437-3667

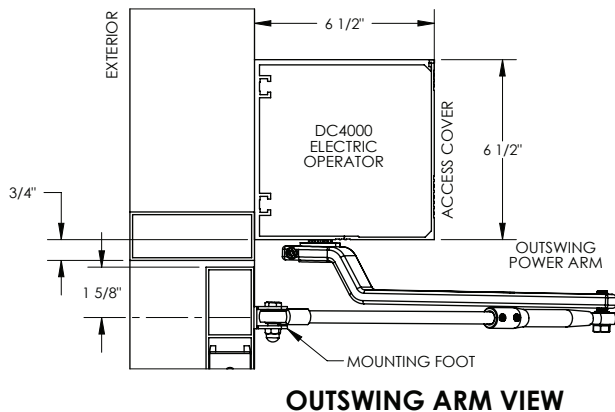
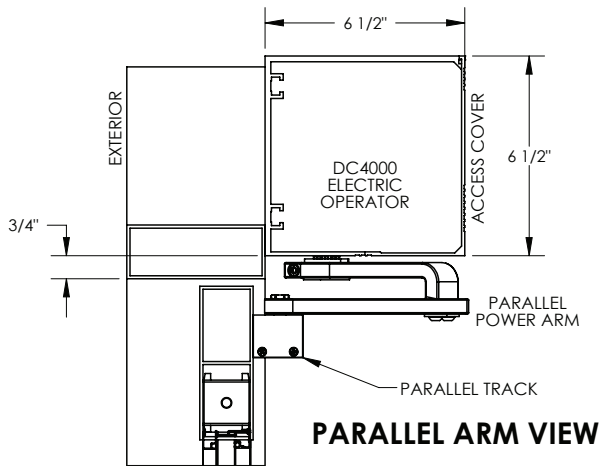
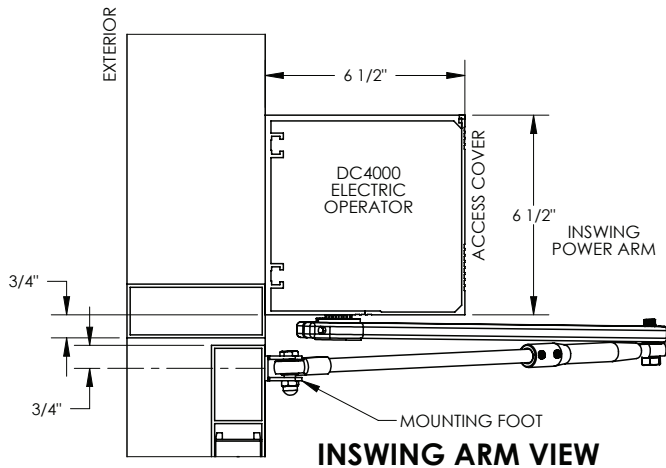
parts@doorcontrolsUSA.com

FAX 800-356-8858

DC4000 Heavy Duty Low Energy Swing Door Operator

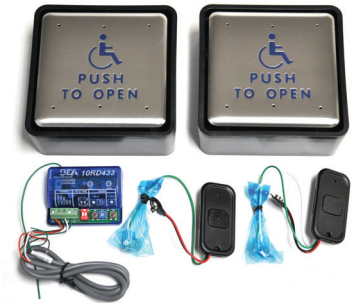


Door Controls USA, Inc.
doorcontrolsUSA.com



PUSH PLATE PACKAGE OPTIONS:

PPW-45PTOSQSM
4.75" FLUSH MOUNT PTO TEXT



PPW-45SQSM
WIRELESS 4.5" SQUARE SURFACE MOUNT PUSH PLATE PACKAGE

PPW-475JMBFM
WIRELESS 4.75" JAMB FLUSH MOUNT PUSH PLATE PACKAGE

PPW-475JMBSM
WIRELESS 4.75" JAMB SURFACE MOUNT PUSH PLATE PACKAGE

PPW-475SQFM
WIRELESS 4.75" SQUARE FLUSH MOUNT PUSH PLATE PACKAGE

PPW-475SQSM
WIRELESS 4.75" SQUARE SURFACE MOUNT PUSH PLATE PACKAGE

PPW-6RNDFM
WIRELESS 6" ROUND FLUSH MOUNT PUSH PLATE PACKAGE

PPW-6RNDMSM
WIRELESS 6" ROUND SURFACE MOUNT PUSH PLATE PACKAGE

SPECIFICATIONS:

MAXIMUM DOOR WIDTH: Single Units: 3' to 3'-6" (.914m to 1.067m)
Pair Units: 5' to 7' (1.524m to 2.133m)

MAXIMUM DOOR PANEL WEIGHT: Up to 700 pounds each (320kg)

POWER INPUT: 120, 220 VAC, 50-60 Hz, Single Phase
15 amp service. Current draw - 3.15 amps

CODE COMPLIANCE: Time delay: 2 to 30 sec. (ANSI A156.19 requires 5 sec. minimum time delay).

800-437-3667

parts@doorcontrolsUSA.com

FAX 800-356-8858