

# DC7000 SURFACE APPLIED SWING OPERATOR

Customer #	
Customer Name	
Job Name	
PO #	
Shipment Method	
Shipment Method	
Ship To	



**Door Controls USA, Inc.**

Today's Date:

Part Number	Frame Opening	Finish/Color	Quantity	Price	Total

\*\*\*Note all units are supplied with harness's if additional harness's are required please mark accordingly\*\*\*

Part #	Description	Quantity	Price
DC10204	LOCK HARNESS 12" CN8 For Use w/EL Strike/MagLck		
DC10205	SYNC. HARNESS 60" CN5 <span style="color: red;">**Supplied with Pairs Only**</span>		
DC10206	RFF HARNESS 12" CN3 For Use w/Radio Receiver		
DC10207	SAFETY HARNESS 12" CN6 For Use w/Safety Sensor		
DC10208	AUX. SWITCH 12" CN7 For Use w/Aux Switch		

**Finished Header Length (Includes End Caps) = Frame Opening + 3 Inches**

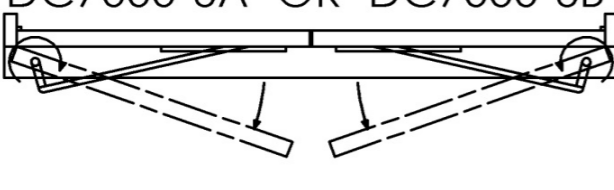

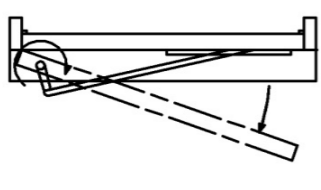
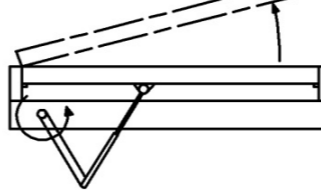
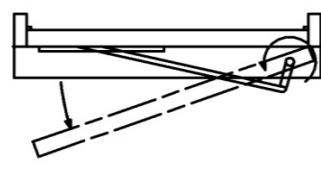
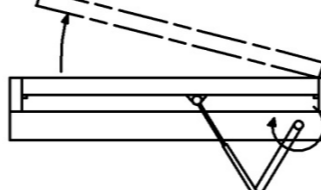
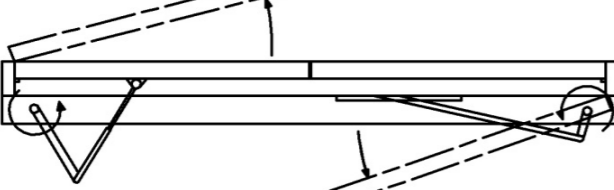

Frame Opening = Measurement From Inside of Jamb to Inside of Jamb

Standard width surface mount header [Single = 39", 45", & 51"] [Pair = 75", 87" & 99"]

Sub-Total      \$0.00

Extra Costs

Total Cost      \$0.00

PAIR LH-RH, PULL (IN) 0" TO 6" REVEAL DC7000-6A OR DC7000-6B 	PAIR LH/RH, PUSH (OUT) DC7000-5A OR DC7000-5B 
SINGLE RH, PULL (IN) 0" TO 6" REVEAL DC7000-3A OR DC7000-3B 	SINGLE LH, PUSH (OUT) DC7000-2A OR DC7000-2B 
SINGLE LH, PULL (IN) 0" TO 6" REVEAL DC7000-4A OR DC7000-4B 	SINGLE RH, PUSH (OUT) DC7000-1A OR DC7000-1B 
LEFT HAND DOUBLE EGRESS DC7000-8A OR DC7000-8B 	RIGHT HAND DOUBLE EGRESS DC7000-7A OR DC7000-7B 

### Push Plates and Mounting Boxes



	Flush Mount	Surface Mount	QTY
4 3/4" Square	—	—	—
6" Round	—	—	—
4 1/2" Square	—	—	—
4 3/4" Jamb Mount	—	—	—

Wireless

Hardwired

### Special Instructions
