



Door Controls USA

DC7000 Low Energy Swing Door Operator

The option to **AUTOMATE** your door

Automate your door with the DC7000 operator with push plates or touchless wave plates. The operator is easy to install without any structural changes required. Activation occurs when you push the push plate or by motioning your hand in front of the wave plate. The DC7000 operator will then slowly open the door and hold open for an adjustable, delayed length of time. This creates a barrier-free doorway and gives pedestrians time to pass through the door before it slowly closes, using a spring force of less than 15 pounds.

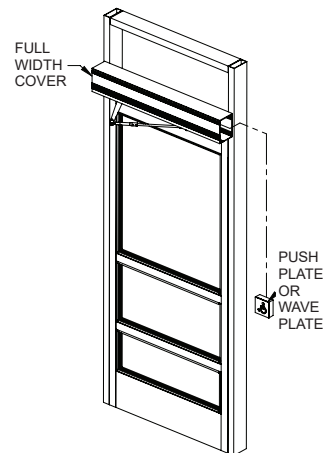
The DC7000 is compliant with ANSI A156.19 for the Americans with Disabilities Act.

System features and benefits:

- ▶ Mounting type: Surface mount
- ▶ Application type: Hollow metal, storefront, wood, and aluminum
- ▶ Integrates to any security system
- ▶ Fast and easy installation
- ▶ Fire and life-safety compliant
- ▶ Easy manual opening
- ▶ Available for butt hinge or offset pivot door
- ▶ Automatic activation by pushing or pulling the door panel
- ▶ Reversing and obstruction sensing
- ▶ Easily adjustable opening & closing speeds
- ▶ Manual operation in case of power failure
- ▶ Available in Dark Bronze or Clear Anodized Finish
- ▶ 1 Year Warranty

A few applications:

- Hospital Corridors**
- Banks**
- Urgent Care Facilities**
- Patient Facilities**
- Patient Rooms**
- Doctor's Offices**
- Restrooms**
- Colleges & Universities**
- Schools & Libraries**



Push Plate or Wave Plate Activation



Handicap Accessible



PROUDLY BUILT IN THE USA
In Stock · Same Day Shipping

Parts@DoorControlsUSA.com

800-437-3667

DoorControlsUSA.com

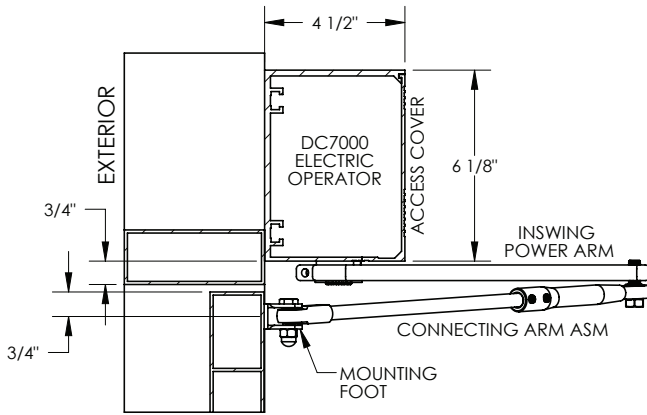
061820



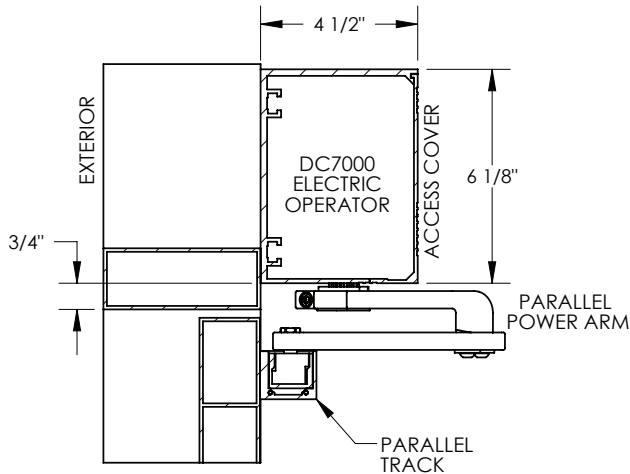
Door Controls USA

DC7000 Low Energy Swing Door Operator Wave Plate and Push Plate Packages

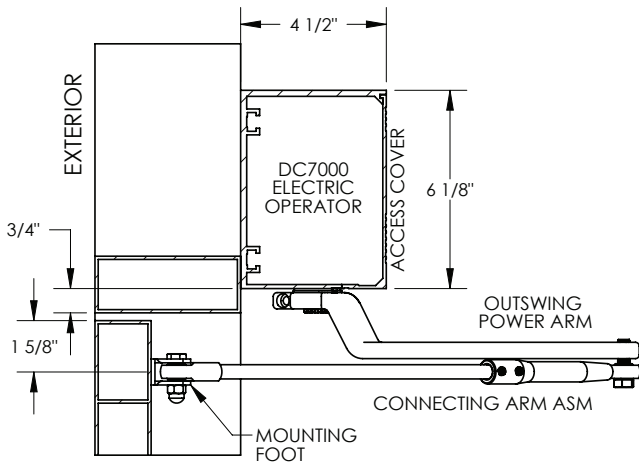
INSWING ARM VIEW



PARALLEL ARM VIEW



OUTSWING ARM VIEW



TOUCHLESS WAVE PLATES

DC10326

WAVE PLATE WITH BOX, SINGLE GANG, INDOOR



DC10327

WAVE PLATE WITH BOX, JAMB MOUNT, OUTDOOR

PUSH PLATE PACKAGE OPTIONS:



PPW-45PTOSQSM

WIRELESS 4.5" SQUARE SURFACE MOUNT PUSH PLATE PACKAGE

PPW-45SQSM

WIRELESS 4.5" SQUARE SURFACE MOUNT PUSH PLATE PACKAGE

PPW-475JMBFM

WIRELESS 4.75" JAMB FLUSH MOUNT PUSH PLATE PACKAGE

PPW-475JMBSM

WIRELESS 4.75" JAMB SURFACE MOUNT PUSH PLATE PACKAGE

PPW-475SQFM

WIRELESS 4.75" SQUARE FLUSH MOUNT PUSH PLATE PACKAGE

PPW-475SQSM

WIRELESS 4.75" SQUARE SURFACE MOUNT PUSH PLATE PACKAGE

PPW-6RNDFM

WIRELESS 6" ROUND FLUSH MOUNT PUSH PLATE PACKAGE

PPW-6RNDSM

WIRELESS 6" ROUND SURFACE MOUNT PUSH PLATE PACKAGE

SPECIFICATIONS:

MAXIMUM DOOR WIDTH: Single Units: 3' to 3'-6" (.914m to 1.067m)
Pair Units: 5' to 7' (1.524m to 2.133m)

MAXIMUM DOOR PANEL WEIGHT: Up to 200 pounds each (320kg)

POWER INPUT: 120, 220 VAC, 50-60 Hz, Single Phase
15 amp service. Current draw - 3.15 amps

CODE COMPLIANCE: Time delay: 2 to 30 sec. (ANSI A156.19 requires 5 sec. minimum time delay).