

Stanley Access Technologies
Installation and Operating Manual



**Double Diamond Sliding Door
Installation Instructions
Quick-Reference Guide**

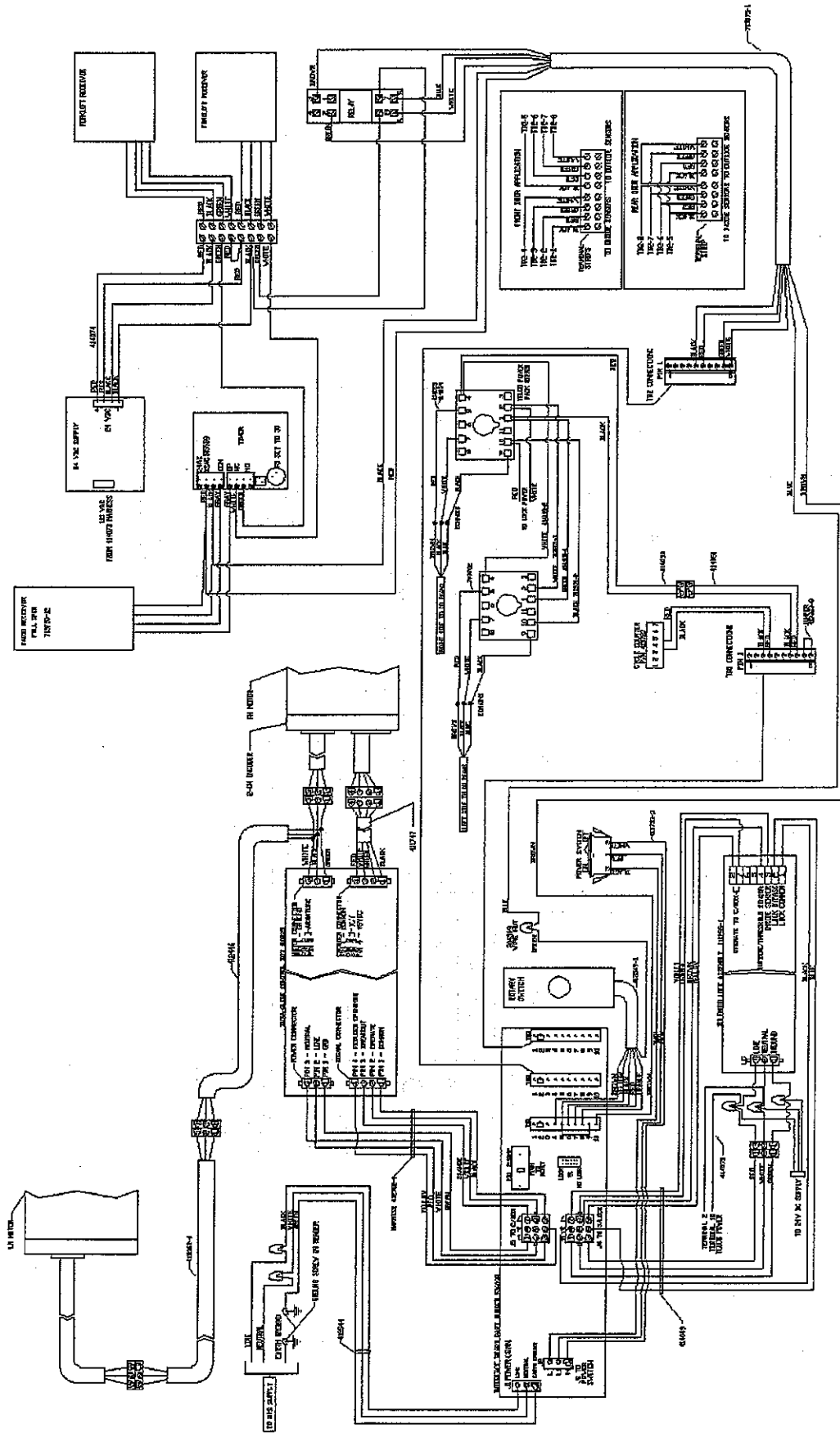
203973

Rev. H, 7/15/04

Prohibition on Copying

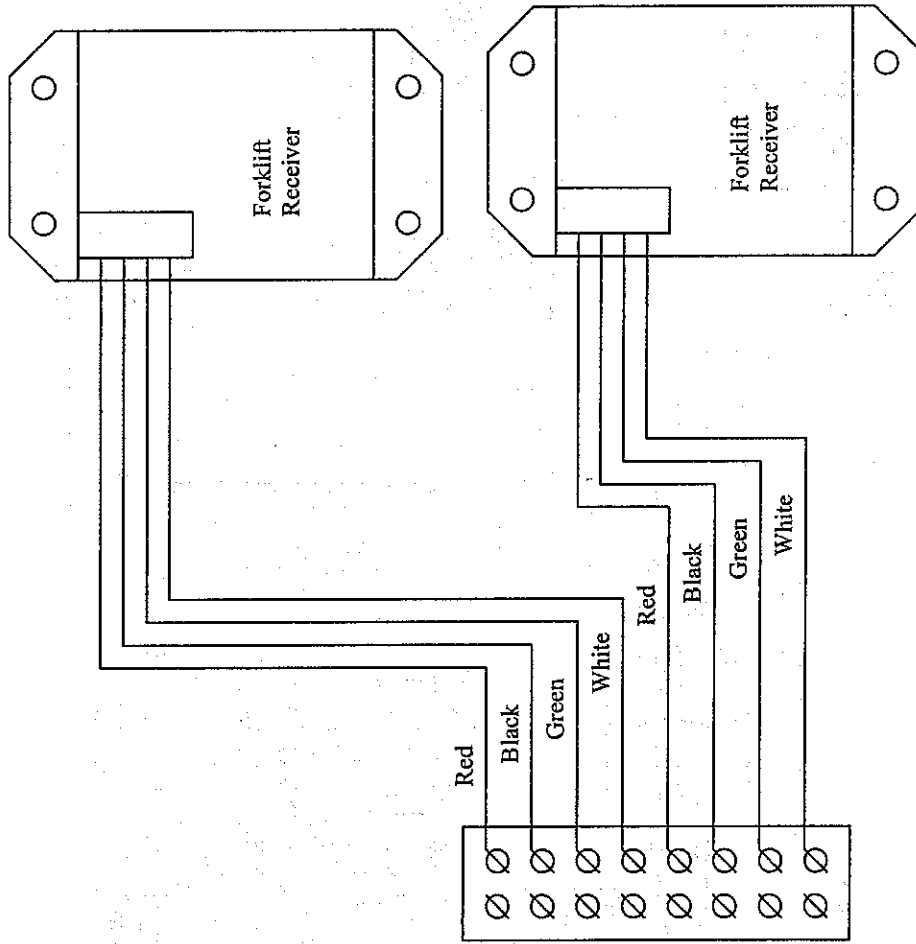
Any unauthorized reproduction, disclosure or distribution of copies by any person of any portion of this work may be a violation of copyright law of the United States of America and other countries, could result in the awarding of statutory damages of up to \$250,000 (17 USC 504) for infringement, and may result in further civil and criminal penalties. All rights reserved.

Attachment 3 System Wiring Diagram (Sheet 1 of 1)

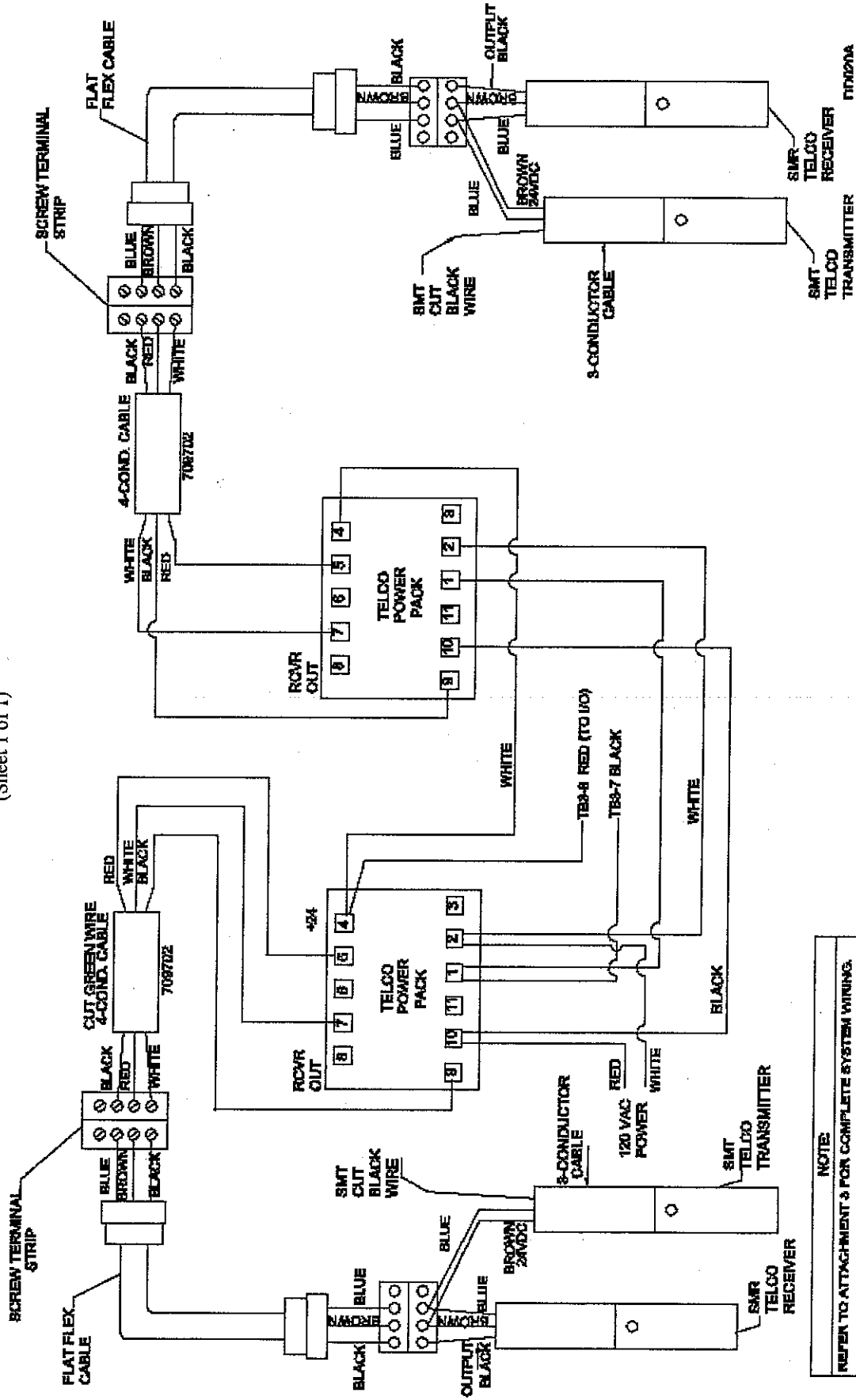


REAR DOOR WIRING NOTES:
1. WIRING AND THE TYPE OF WIRE TO BE USED FOR THE FRONT DOOR WIRING IS
2. WIRING AND THE TYPE OF WIRE TO BE USED FOR THE REAR DOOR WIRING IS
3. WIRING AND THE TYPE OF WIRE TO BE USED FOR THE REAR DOOR WIRING IS

Attachment 3A
Forklift Sensor Wiring Diagram
(Sheet 2 of 2)



Attachment 4 Doorway Holding Beam Wiring Diagram (Sheet 1 of 1)



NOTE:
REFER TO ATTACHMENT 3 FOR COMPLETE SYSTEM WIRING.

