

Dura-Care 7500 A TL-FBO Replacement Parts



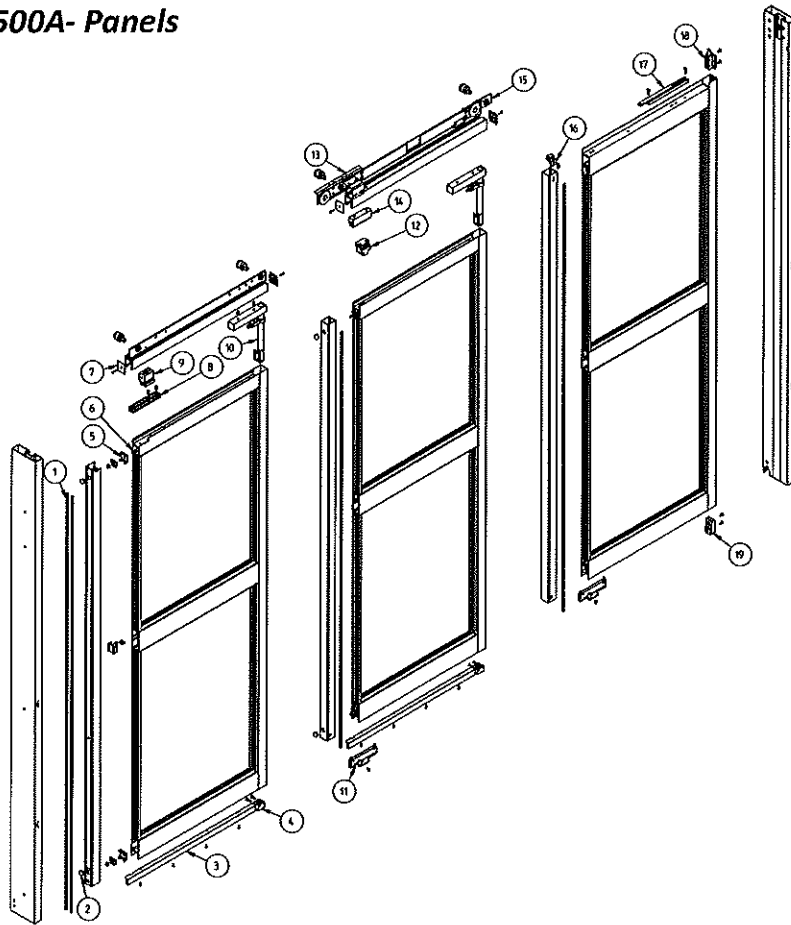
STANLEY.
Access Technologies

Dura-Care 7500A- Panels

ITEM	PART NUMBER	DESCRIPTION	QTY PER PKG
1	711704	WEATHERSTRIP, ICU VINYL, BLACK	per ft
2	710241	PLUG-HOLE-GRAY	6
3	1000474-1	TRACK, BOTTOM RAIL-AUTO ICU-LH	2
	1000474-2	TRACK, BOTTOM RAIL-AUTO ICU-RH	
4	516855	PIVOT-ASSY	2
5	412479	CLIP-LOCATING	6
6	711483	GROUP-TIE ROD-5/16" DIA	per ft
7	515190	CAP-END-HANGER-DK BZ	4
8	516699-3	DETENT, NARROW STD (RH), MED W/ACCESS CONTROL (RH)	1
	516699-4	DETENT, NARROW STD (LH), MED W/ACCESS CONTROL (LH)	
9	411622	DETENT ASSY-SX-HANGER PORTION (CLR)	1
	431622	DETENT ASSY-SX-HANGER PORTION (DRK BRZ)	
10	515700	PIVOT ASSY-SX DURA GLIDE	2
11	417843-1	GUIDE-SLIDING BOTTOM-ICU (LH)	2
	417843-2	GUIDE-SLIDING BOTTOM-ICU (RH)	
12	412654	DETENT ASSY-DOOR PORT,SLOW (CLR)	1
	432654	DETENT ASSY-DOOR PORT,SLOW (BRZ)	
13	515891	BRACKET,LOAD WHEEL & PULLEY	1
14	515895	DETENT-HANGER PORTION,SLOW SX	1
15	412647	BRACKET-LOAD WHEEL	1
16	417687	DETENT-BALL ASSY	1
17	412680	DOOR HOLDER ASSY - SMALL	1
18	411247	PIVOT ASSY-SO-LH-UPPER	1
	411248	PIVOT ASSY-SO-RH-UPPER	
19	417751	PIVOT-SO BOTTOM D/G	1

STANLEY
Access Technologies

Dura-Care 7500A- Panels



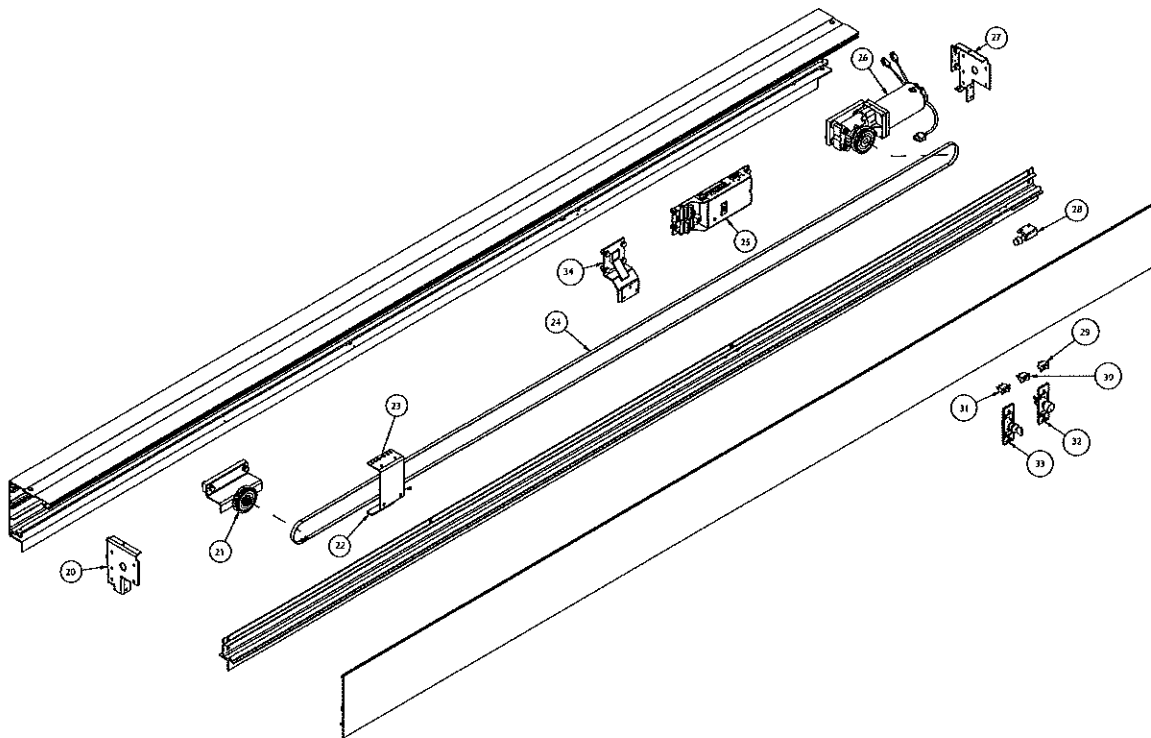
STANLEY.
Access Technologies

Dura-Care 7500A- Header

ITEM	PART NUMBER	DESCRIPTION	QTY PER PKG
20	110423	BRACKET, MOUNTING-D/G5000, LH	1
21	412497	IDLER ASSY-D/G1000	1
22	412481	CLAMP-BELT BRACKET	1
23	415069-2	BRACKET, BELT-SHORT	1
24	712750	BELT-TIMING-3/8"-LONG LENGTH	per ft
25	313969	CONTROLLER-MC521 SINGLE	1
26	313186	MOTOR AND GEARBOX ASSEMBLY	1
27	110422	BRACKET, MOUNTING-D/G5000, RH	1
28	711709	BUMPER STOP ASSY RH	1
	711710	BUMPER STOP ASSY LH	
29	713080	SWITCH - ROCKER ONEWAY/RED OPEN	1
30	713081	SWITCH - ROCKER POWER W/ LIGHT	1
31	713082	SWITCH-ROCKER AUTO/CLS/OPEN	1
32	313719	6 POSITION KNOB SWITCH ASSY W/ HARNESS	1
	413550	6 POSITION KNOB SWITCH (Only)	
	413960	4 POSITION KNOB SWITCH W/ HARNESS	
33	313720	6 POSITION KEY SWITCH ASSY W/ HARNESS	1
	413584	6 POSITION KEY SWITCH (Only)	
	714119	KEYS (ONLY) FOR 6 POSITION SWITCH	
	313720	4 POSITION KEY SWITCH W/ HARNESS	
34	516285	BRACKET TRACK SUPPORT	1

STANLEY
Access Technologies

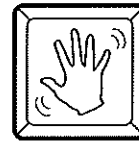
Dura-Care 7500A- Header



STANLEY.
Access Technologies

Sensors & Hardware Kits (not shown)

PART NUMBER	DESCRIPTION	QTY PER PKG
700447	SENSOR-OPTEX X-ZONE ST	2
700031	SENSOR-TOUCHLESS WAVE (shown)	1 OR 2
313219	HARDWARE PKG-HEADER, TELESCOP	1
313220	HARDWARE PKG-PANEL, TELESCOPING	1
314288	KIT-HARDWARE PKG-AUTO ICU	1



Wireless Activaton Kits (Optional)

PART NUMBER	DESCRIPTION	QTY PER PKG
314200	KIT-WIRELESS JAMB ACTIVATION	1
314200-1	KIT-WIRELESS JAMB ACTIVATION	2

