

DuraFit Replacement Parts



STANLEY[®]
Access Technologies

DURAFIT HEADER ASSEMBLY

| ITEM | PART NUMBER | DESCRIPTION | QTY |
|------|--------------|---------------------------------------|-----|
| 1 | GC314005 | HEADER, CONFIGURABLE-RPC DURAFIT | 1 |
| 2 | 517888-XXXXX | EXTRUSION-HEADER-UPPER | A/R |
| 3 | 517889-XXXXX | EXTRUSION-HEADER-LOWER | A/R |
| 4 | 517890-XXXXX | EXTRUSION-HEADER-COVER | A/R |
| 5 | 712750 | BELT-TIMING-3/8"-LONG LENGTH | A/R |
| 6 | 517921 | BRACKET, HEADER - MOTOR | 1 |
| 7 | 418045 | SPACER, GEARBOX | 4 |
| 8 | 1000546 | MOTOR & GEARBOX WITH ENCODER | 1 |
| 9 | 314327 | KIT, ENCODER-MAGNET-IQ-RPC | 1 |
| 10 | 418085 | STANDOFF, BUMPER STOP | 2 |
| 11 | 605521-1 | BUMPER STOP ASSY - SHORT | 1 |
| 12 | 517922 | PIVOT, TOP SO ASSY | 2 |
| 13 | 314321 | KIT-CONTROLLER-IQ-DUAL-RPC | 1 |
| 14 | 517925 | BRACKET-BELT, ASSEMBLY | 2 |
| 15 | 418049 | CLAMP, BELT | 2 |
| 16 | 517928 | HEADER WHEEL ASSEMBLY | 2 |
| 17a | 517903-1 | HOLDER, SWEEP, LOWER HEADER-LH CENTER | 1 |
| 17b | 517903-2 | HOLDER, SWEEP, LOWER HEADER-RH CENTER | 1 |
| 17c | 517903-3 | HOLDER, SWEEP, LOWER HEADER-LH JAMB | 1 |
| 17d | 517903-4 | HOLDER, SWEEP, LOWER HEADER-RH JAMB | 1 |
| 18 | 516933 | SWITCH - DOOR POSITION | 2 |
| 19 | 517905 | CABLE TENSIONER | 1 |
| 20a | 1000540-1 | PLATE, LOCKING (ACCESS CONTROL) | 1 |
| 20b | 1000540-2 | PLATE, LOCKING (2PT LOCK) | 2 |
| 21 | 711463-B | SWITCH-MAGNETIC CONTACT | 2 |

STANLEY
Access Technologies

DURAFIT HEADER ASSEMBLY

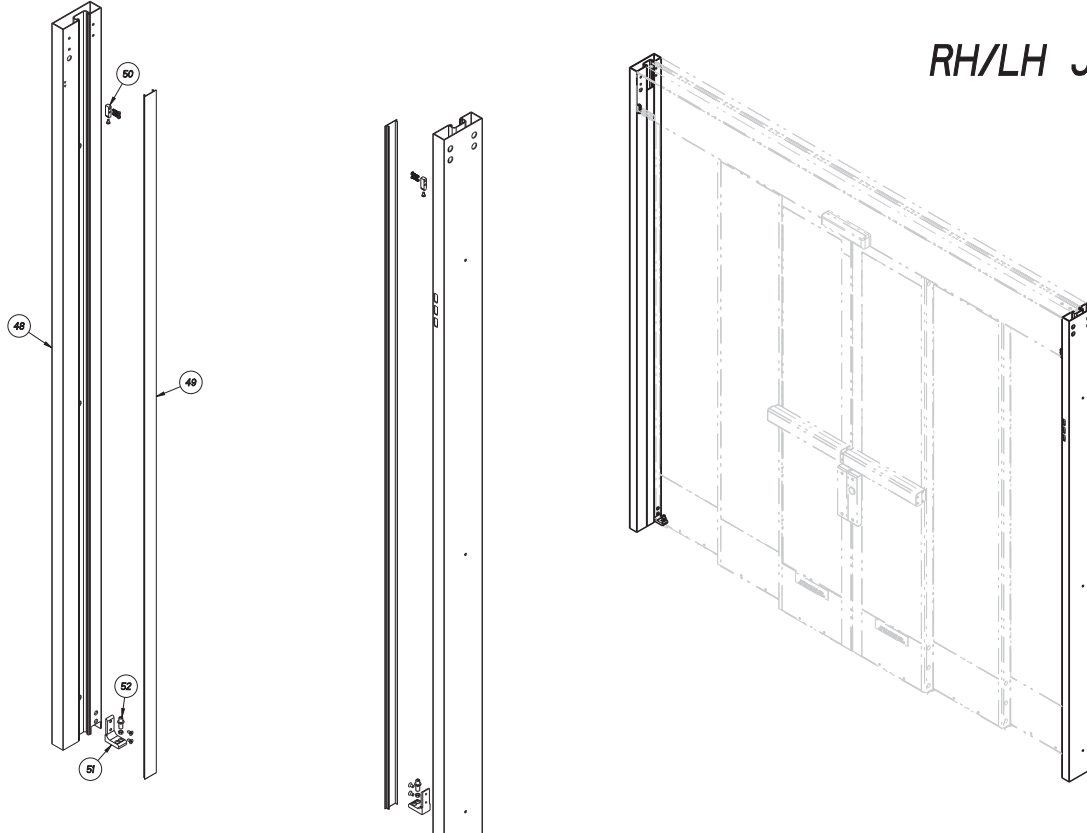
| ITEM | PART NUMBER | DESCRIPTION | QTY |
|------|-------------|---------------------------------------|-----|
| 22 | 708824 | DETENT - BALL (SPG. LOADED) | 2 |
| 23 | 708865 | PALNUT SO PANEL | 2 |
| 24 | 711463-C | SWITCH-MAGNETIC CONTACT | 2 |
| 25 | 418082 | SUPPORT BRACKET, BUMPER STOP | 1 |
| 26 | 605521 | BUMPER STOP ASSY | 1 |
| 27 | 711463-A | MAGNET-SWITCH | 2 |
| 28a | 185040-2 | LOCK ASSY SOLENOID LH FAIL SAF | 1 |
| 28b | 185040-4 | LOCK ASSY SOLENOID LH FAIL SEC | 1 |
| 29 | 418035 | HOLDER, DOOR ASSY-DURAFIT | 1 |
| 30 | 517918 | IDLER PULLEY ASSY | 2 |
| 31 | 700447 | SENSOR-OPTEX X-ZONE ST | 1 |
| 32 | 700883 | SPACER, X-ZONE | 2 |
| 32 | 700844 | RAIN HOOD FOR OPTEX X-ZONE ST | 2 |
| 32 | 418012 | EXTENSION HARNESS FOR OPTEX X-ZONE ST | 2 |
| 33 | 413740 | DECAL-STANLEY LOGO | 1 |
| 34 | 713080 | SWITCH - SPST - ONEWAY & REDUCED OPEN | 2 |
| 35 | 713082 | SWITCH - ROCKER AUTO/CLS/OPEN | 1 |
| 36 | 713081 | SWITCH - ROCKER POWER, W/LIGHT | 1 |
| 37 | 517931 | LABEL - ROCKER SWITCHES | 1 |
| 38 | 413960 | SWITCH ASSY-ROTARY 4 POSITION | 1 |
| 39 | 413584 | KEY SWITCH ASSEMBLY SLIDERS | 1 |

DURAFIT WIRING HARNESS

| ITEM | PART NUMBER | DESCRIPTION | QTY per PKG | Option |
|------|-------------|---|-------------|----------------------------|
| 40 | 517870-1 | HARNESS, ASSY-SOLENOID LOCK | 1 | SOLENOID LOCK |
| 41 | 412161 | CABLE ASSY-CLOSED POSITION SW | 1 | DPS / DDPS |
| 42 | 1000536 | HARNESS, INTERCONNECT-X ZONE ST TO CONTRL | 1 | X-ZONE ST |
| 43 | 518545 | HARNESS, POWER/SWITCH LINE | 1 | ROCKER SWITCH |
| 44 | 412544 | HARNESS, POWER | 1 | KEY SWITCH / ROTARY SWITCH |
| 45 | 415000 | HARNESS, LINE CONNECT | 1 | KEY SWITCH / ROTARY SWITCH |
| 46 | 414107-1 | HARNESS, ROTARY SWITCH TO CONTROL BOX | 1 | KEY SWITCH / ROTARY SWITCH |
| 47 | 413733-2 | HARNESS, PWR-D/G-ROT/KEYSW 180° | 1 | KEY SWITCH / ROTARY SWITCH |

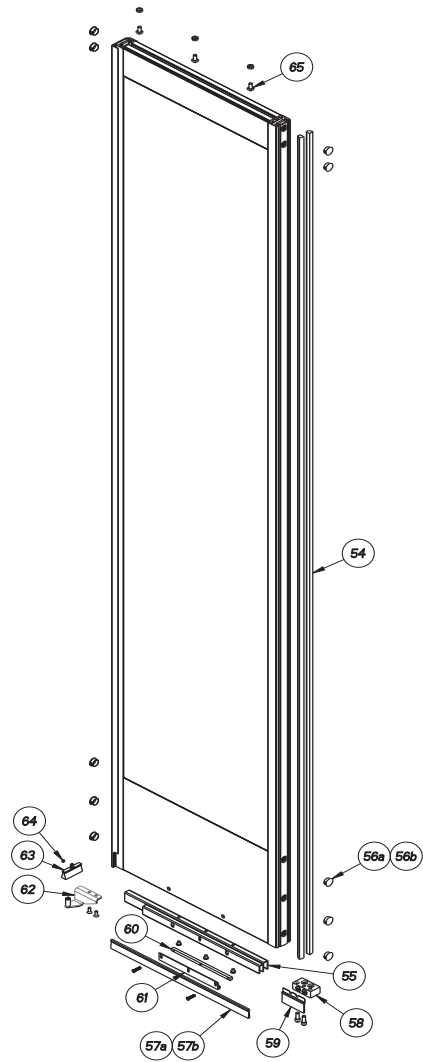
DURAFIT RH/LH JAMBS

| ITEM | PART NUMBER | DESCRIPTION | QTY per PKG |
|------|--------------|-------------------------------------|-------------|
| 48 | 516058-XXXXX | EXTRUSION-JAMB, 6" | A/R |
| 49 | 412860-XXXXX | EXTRUSION-JAMB INSERT | A/R |
| 50 | 418031 | BLOCK, HEADER COVER - MOUNTING | 2 |
| 51 | 417035 | PIVOT BASE, JAMB MOUNTED - MACHINED | 2 |
| 52 | 708950 | PIVOT BOTTOM (SO) | 2 |

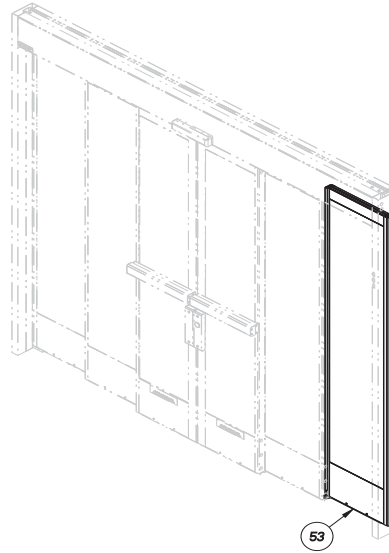


RH/LH JAMB

DURAFIT PANEL- LH SO



PANEL ASSY
LH - SO

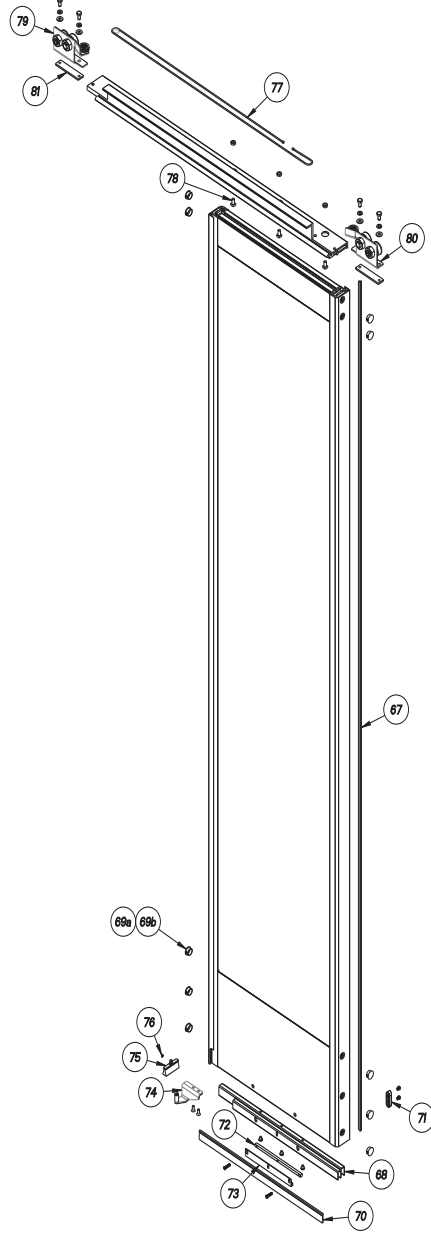


STANLEY[®]
Access Technologies

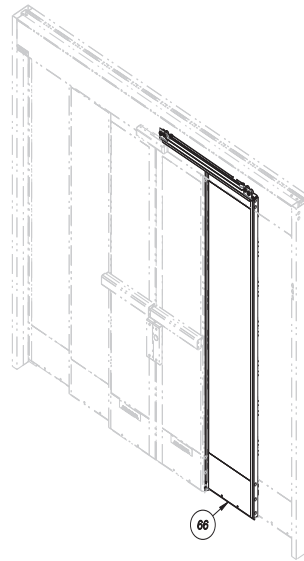
DURAFIT PANEL LH-SO

| ITEM | PART NUMBER | DESCRIPTION | QTY per PKG |
|------|--------------|--|-------------|
| 53 | GC314004 | PANEL, CONFIGURABLE-RPC DURAFIT | 1 |
| 54 | 411624-1 | PILE-NON ADHESIVE BACKED-BROWN | A/R |
| 55 | 418015-XXXXX | EXTRUSION-TRACK/SWEEP | A/R |
| 56a | 714499-1 | PLUG-LOCKING HOLE 5/8 HOLE SILVER GRAY | A/R |
| 56b | 714499 | PLUG-LOCKING HOLE 5/8 HOLE BLACK | A/R |
| 57a | 418069-XXXXX | BRUSH-SWEEP | A/R |
| 57b | 418087-XXXXX | BRUSH-SWEEP-LONG | A/R |
| 58 | 418043 | PIVOT-BOTTOM ASSY | 1 |
| 59 | 418018 | SWEEP-PIVOT | 1 |
| 60 | 418052 | NUT BAR, SWEEP - ASSY | 1 |
| 61 | 418068 | HOLDER, SWEEP | 1 |
| 62 | 418044-1 | GUIDE-BOTTOM ASSY-LH | 1 |
| 63 | 700852 | SWEEP-PANEL TO PANEL | 1 |
| 64 | 700840 | SCREW-SET-HX-FLT #10-32X1/8L STL | 1 |
| 65 | 700872 | SCREW-SQ HEAD 1/4-20 X 1/2 | 1 |

DURAFIT PANEL- LH SX SLOW



PANEL ASSY
LH - SX SLOW

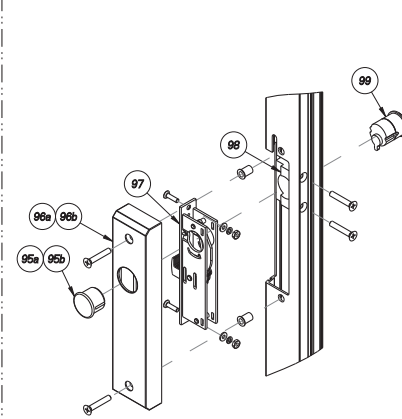
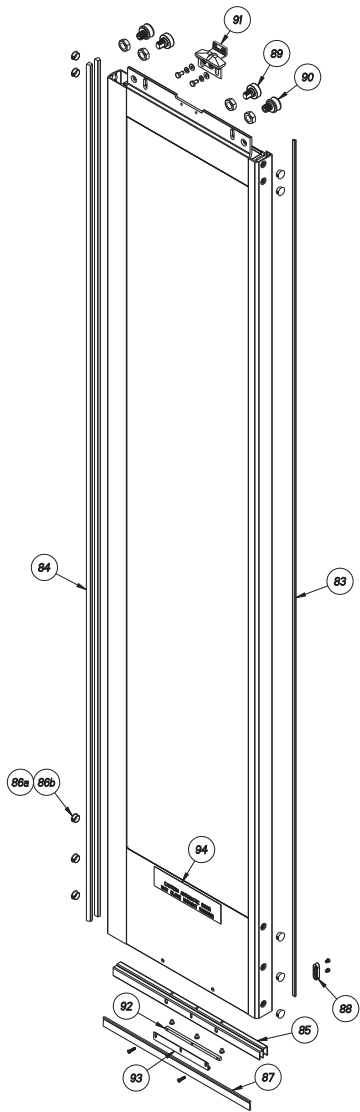


STANLEY[®]
Access Technologies

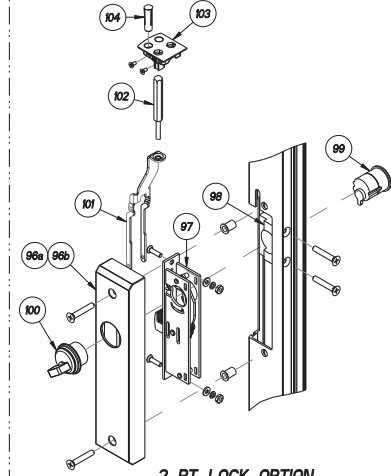
DURAFIT PANEL- LH SX SLOW

| ITEM | PART NUMBER | DESCRIPTION | QTY per PKG |
|------|--------------|--|-------------|
| 66 | GC314004 | PANEL, CONFIGURABLE-RPC DURAFIT | 1 |
| 67 | 713050 | PILE-HANGER | A/R |
| 68 | 418015-XXXXX | EXTRUSION-TRACK/SWEEP | A/R |
| 69a | 714499-1 | PLUG-LOCKING HOLE 5/8 HOLE SILVER GRAY | A/R |
| 69b | 714499 | PLUG-LOCKING HOLE 5/8 HOLE BLACK | A/R |
| 70 | 418069-XXXXX | BRUSH-SWEEP | A/R |
| 71 | 418055 | SKID, PANEL TO PANEL | 1 |
| 72 | 418052 | NUT BAR, SWEEP - ASSY | 1 |
| 73 | 418068 | HOLDER, SWEEP | 1 |
| 74 | 418044-1 | GUIDE-BOTTOM ASSY-LH | 1 |
| 75 | 700852 | SWEEP-PANEL TO PANEL | 1 |
| 76 | 700840 | SCREW-SET-HX-FLT #10-32X1/8L STL | 1 |
| 77 | 517923 | CABLE ASSEMBLY 2:1 | 1 |
| 78 | 700872 | SCREW-SQ HEAD 1/4-20 X 1/2 | 3 |
| 79 | 517916-1 | BRACKET-LOAD WHEEL/ANTI RISER ASSY | 1 |
| 80 | 517916-2 | BRACKET-LOAD WHEEL/ANTI RISER ASSY | 1 |
| 81 | 418053 | NUT BAR ASSY 2:1 | 2 |

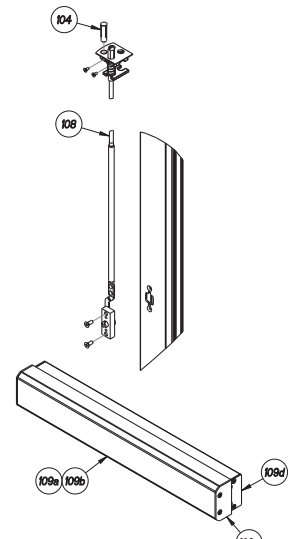
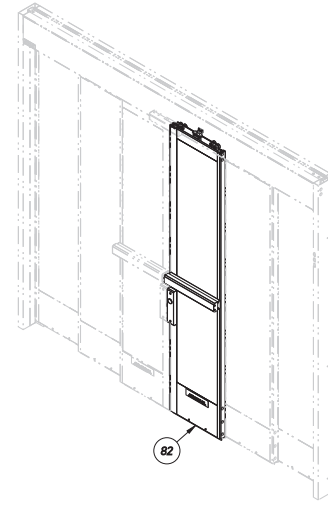
DURAFIT PANEL- LH-SX FAST



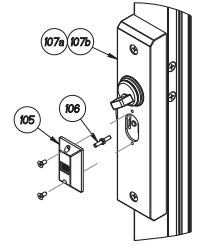
1 PT LOCK OPTION



2 PT LOCK OPTION



ACCESS CONTROL OPTION



EXIT INDICATOR OPTION

PANEL ASSY
LH - SX FAST

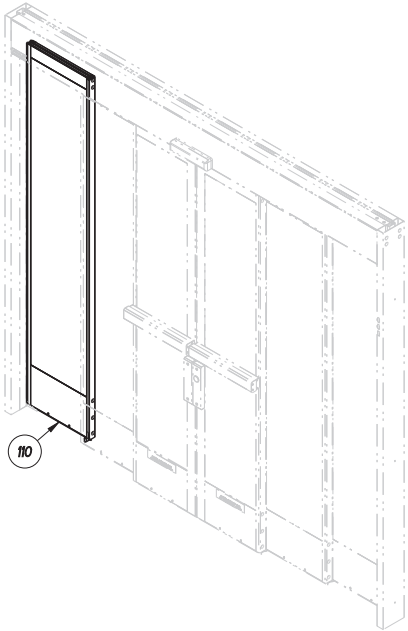
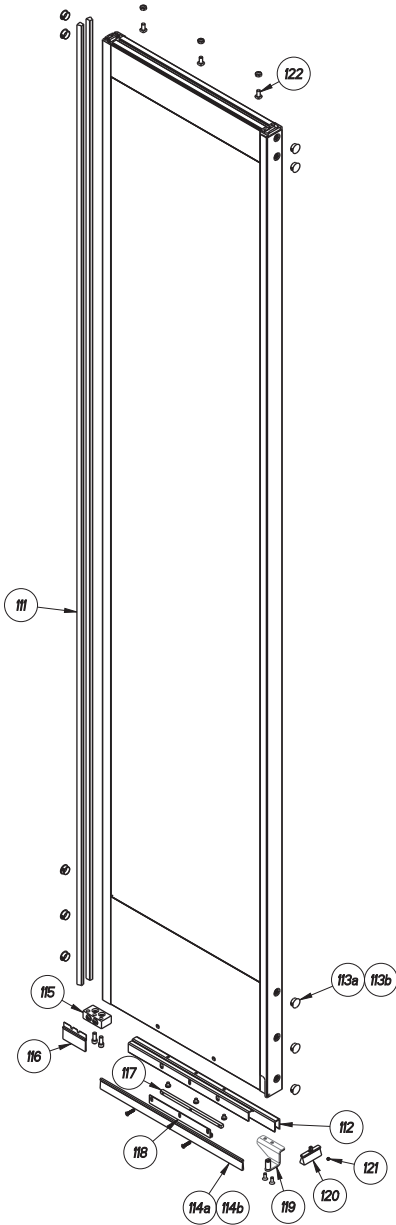
DURAFIT PANEL- LH SX FAST

| ITEM | PART NUMBER | DESCRIPTION | QTY per PKG |
|------|--------------|---|-------------|
| 82 | GC314004 | PANEL, CONFIGURABLE-RPC DURAFIT | 1 |
| 83 | 713050 | PILE-HANGER | A/R |
| 84 | 411624-1 | PILE-NON ADHESIVE BACKED-BROWN | A/R |
| 85 | 418015-XXXXX | EXTRUSION-TRACK/SWEEP | A/R |
| 86a | 714499-1 | PLUG-LOCKING HOLE 5/8 HOLE SILVER GRAY | A/R |
| 86b | 714499 | PLUG-LOCKING HOLE 5/8 HOLE BLACK | A/R |
| 87 | 418069-XXXXX | BRUSH-SWEEP | 1 |
| 88 | 418055 | SKID, PANEL TO PANEL | 1 |
| 89 | 418029 | ANTI-RISER, ASSY | 2 |
| 90 | 418026 | LOAD WHEEL ASSEMBLY | 2 |
| 91 | 418097 | CAM-BREAK IN, ASSY | 1 |
| 92 | 418052 | NUT BAR, SWEEP - ASSY | 1 |
| 93 | 418068 | HOLDER, SWEEP | 1 |
| 94 | 700870 | DECAL, CAUTION AUTO SLIDING DOOR | 2 |
| 95a | 713845-1 | CYLINDER-DUMMY (CLEAR) | 1 |
| 95b | 713845-2 | CYLINDER-DUMMY (DK. BRZ) | 1 |
| 96a | 1000539-1 | PLATE, ESCUTCHEON, INVESTMENT CAST LOCK MOUNT (CLEAR) | 1 |
| 96b | 1300539-1 | PLATE, ESCUTCHEON, INVESTMENT CAST LOCK MOUNT (DK. BRZ) | 1 |
| 97 | 515258-1 | LOCK-1 POINT-8 LAMINATIONS | 1 |
| 98 | 417055 | BACKING PLATE, LOCK CYL., FLUSH MOUNT | 1 |
| 99 | 714350 | BEST CYLINDER & CORE ASS'Y | 1 |
| 100 | 709221 | THUMBTURN LOCK 15/16" CYLINDER, 1/4" TRIM RING, MS CAM | 1 |
| 101 | 517103 | OFFSET LINKAGE ARM | 1 |
| 102 | 413811-2 | ROD ASSEMBLY, THROWBOLT | 1 |

DURAFIT PANEL- LH SX FAST, continued

| ITEM | PART NUMBER | DESCRIPTION | QTY per PKG |
|------|-------------|---|-------------|
| 103 | 517915 | COVER, STILE, GUIDE | 1 |
| 104 | 711463-A | MAGNET-SWITCH | 1 |
| 105 | 413162 | EXIT INDICATOR | 1 |
| 106 | 417337 | PIN-LOCK EXIT INDICATOR | 1 |
| 107a | 1000539-3 | PLATE, ESCUTCHEON, INVESTMENT CAST LOCK MOUNT (CLEAR) | 1 |
| 107b | 1300539-3 | PLATE, ESCUTCHEON, INVESTMENT CAST LOCK MOUNT (DK. BRZ) | 1 |
| 108 | 1000543-1 | THROW ROD ASSEMBLY LEFT HAND | 1 |
| 109a | 1000026 | PANIC BAR (CLEAR) | 1 |
| 109b | 1300026 | PANIC BAR (DK. BRZ) | 1 |
| 109c | 417401 | END CAP COVER-PANIC BAR | 2 |
| 109d | 417402 | END CAP BODY-PANIC BAR | 2 |

DURAFIT PANEL- RH - SO

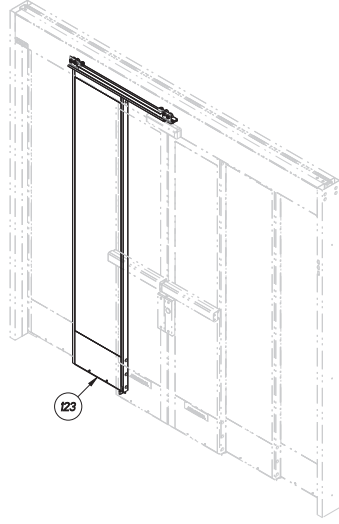
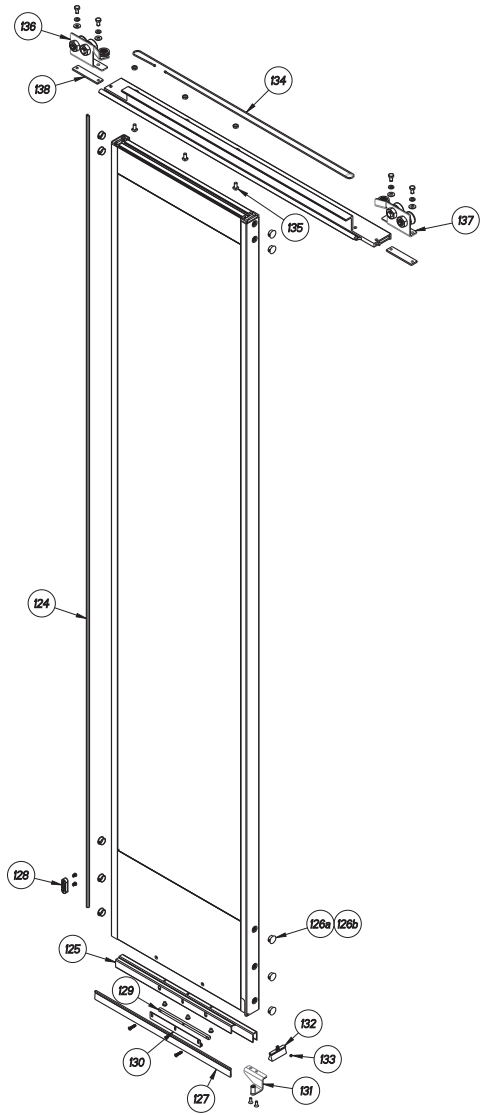


STANLEY
Access Technologies

DURAFIT PANEL- RH SO

| ITEM | PART NUMBER | DESCRIPTION | QTY per PKG |
|------|--------------|--|-------------|
| 110 | GC314004 | PANEL, CONFIGURABLE-RPC DURAFIT | 1 |
| 111 | 411624-1 | PILE-NON ADHESIVE BACKED-BROWN | A/R |
| 112 | 418015-XXXXX | EXTRUSION-TRACK/SWEEP | A/R |
| 113a | 714499-1 | PLUG-LOCKING HOLE 5/8 HOLE SILVER GRAY | A/R |
| 113b | 714499 | PLUG-LOCKING HOLE 5/8 HOLE BLACK | A/R |
| 114a | 418069-XXXXX | BRUSH-SWEEP | A/R |
| 114b | 418087-XXXXX | BRUSH-SWEEP-LONG | A/R |
| 115 | 418043 | PIVOT-BOTTOM ASSY | 1 |
| 116 | 418018 | SWEEP-PIVOT | 1 |
| 117 | 418052 | NUT BAR, SWEEP - ASSY | 1 |
| 118 | 418068 | HOLDER, SWEEP | 1 |
| 119 | 418044-2 | GUIDE-BOTTOM ASSY-RH | 1 |
| 120 | 700852 | SWEEP-PANEL TO PANEL | 1 |
| 121 | 700840 | SCREW-SET-HX-FLT #10-32X1/8L STL | 1 |
| 122 | 700872 | SCREW-SQ HEAD 1/4-20 X 1/2 | 3 |

DURAFIT PANEL- RH SX SLOW

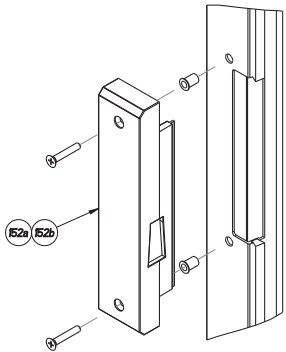
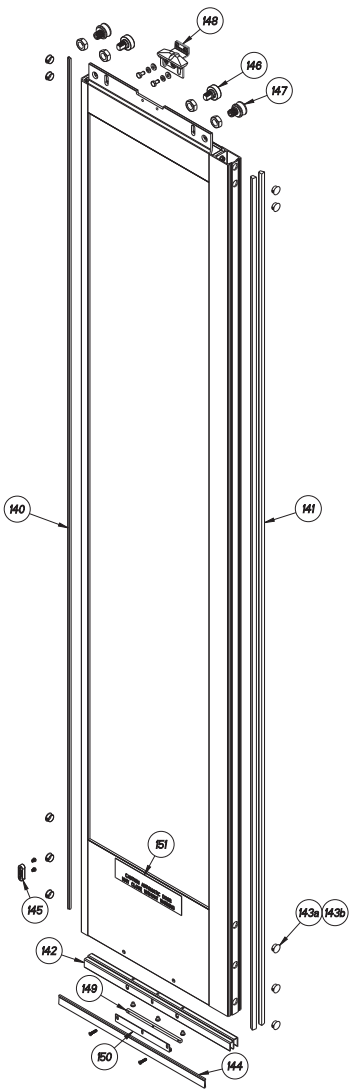


STANLEY
Access Technologies

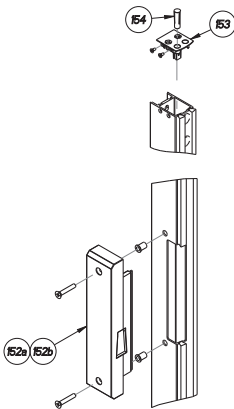
DURAFIT PANEL- RH SX SLOW

| ITEM | PART NUMBER | DESCRIPTION | QTY per PKG |
|------|--------------|--|-------------|
| 123 | GC314004 | PANEL, CONFIGURABLE-RPC DURAFIT | 1 |
| 124 | 713050 | PILE-HANGER | A/R |
| 125 | 418015-XXXXX | EXTRUSION-TRACK/SWEEP | A/R |
| 126a | 714499-1 | PLUG-LOCKING HOLE 5/8 HOLE SILVER GRAY | A/R |
| 126b | 714499 | PLUG-LOCKING HOLE 5/8 HOLE BLACK | A/R |
| 127 | 418069-XXXXX | BRUSH-SWEEP | A/R |
| 128 | 418055 | SKID, PANEL TO PANEL | 1 |
| 129 | 418052 | NUT BAR, SWEEP - ASSY | 1 |
| 130 | 418068 | HOLDER, SWEEP | 1 |
| 131 | 418044-2 | GUIDE-BOTTOM ASSY-RH | 1 |
| 132 | 700852 | SWEEP-PANEL TO PANEL | 1 |
| 133 | 700840 | SCREW-SET-HX-FLT #10-32X1/8L STL | 1 |
| 134 | 517923 | CABLE ASSEMBLY 2:1 | 1 |
| 135 | 700872 | SCREW-SQ HEAD 1/4-20 X 1/2 | 3 |
| 136 | 517916-1 | BRACKET-LOAD WHEEL/ANTI RISER ASSY | 1 |
| 137 | 517916-2 | BRACKET-LOAD WHEEL/ANTI RISER ASSY | 1 |
| 138 | 418053 | NUT BAR ASSY 2:1 | 2 |

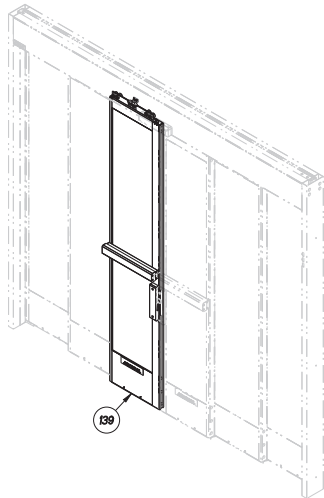
DURAFIT PANEL- RH SX FAST



1 PT LOCK OPTION



2 PT LOCK OPTION



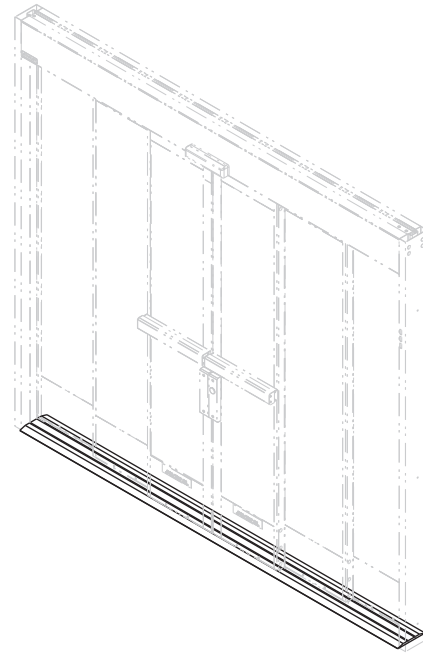
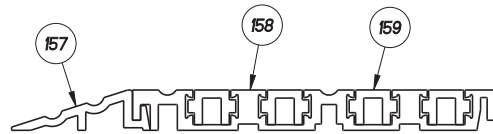
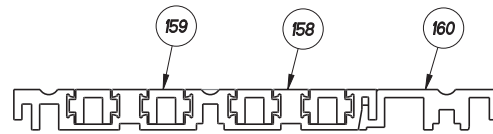
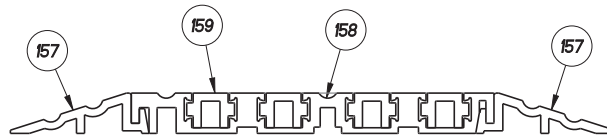
ACCESS CONTROL OPTION

DURAFIT PANEL- RH SX FAST

| ITEM | PART NUMBER | DESCRIPTION | QTY per PKG |
|------|--------------|---|-------------|
| 139 | GC314004 | PANEL, CONFIGURABLE-RPC DURAFIT | 1 |
| 140 | 713050 | PILE-HANGER | A/R |
| 141 | 411624-1 | PILE-NON ADHESIVE BACKED-BROWN | A/R |
| 142 | 418015-XXXXX | EXTRUSION-TRACK/SWEEP | A/R |
| 143a | 714499-1 | PLUG-LOCKING HOLE 5/8 HOLE SILVER GRAY | A/R |
| 143b | 714499 | PLUG-LOCKING HOLE 5/8 HOLE BLACK | A/R |
| 144 | 418069-XXXXX | BRUSH-SWEEP | 1 |
| 145 | 418055 | SKID, PANEL TO PANEL | 2 |
| 146 | 418029 | ANTI-RISER, ASSY | 2 |
| 147 | 418026 | LOAD WHEEL ASSEMBLY | 1 |
| 148 | 418097 | CAM-BREAK IN, ASSY | 1 |
| 149 | 418052 | NUT BAR, SWEEP - ASSY | 1 |
| 150 | 418068 | HOLDER, SWEEP | 2 |
| 151 | 700870 | DECAL, CAUTION AUTO SLIDING DOOR | 1 |
| 152a | 1000539-2 | PLATE, ESCUTCHEON, INVESTMENT CAST LOCK MOUNT (CLEAR) | 1 |
| 152b | 1300539-2 | PLATE, ESCUTCHEON, INVESTMENT CAST LOCK MOUNT (DK. BRZ) | 1 |
| 153 | 517915 | COVER, STILE, GUIDE | 1 |
| 154 | 711463-A | MAGNET-SWITCH | 1 |
| 155 | 1000543-1 | THROW ROD ASSEMBLY LEFT HAND | 1 |
| 156a | 1000026 | PANIC BAR (CLEAR) | 1 |
| 156b | 1300026 | PANIC BAR (DK. BRZ) | 1 |
| 156c | 417401 | END CAP COVER-PANIC BAR | 2 |
| 156d | 417402 | END CAP BODY-PANIC BAR | 2 |

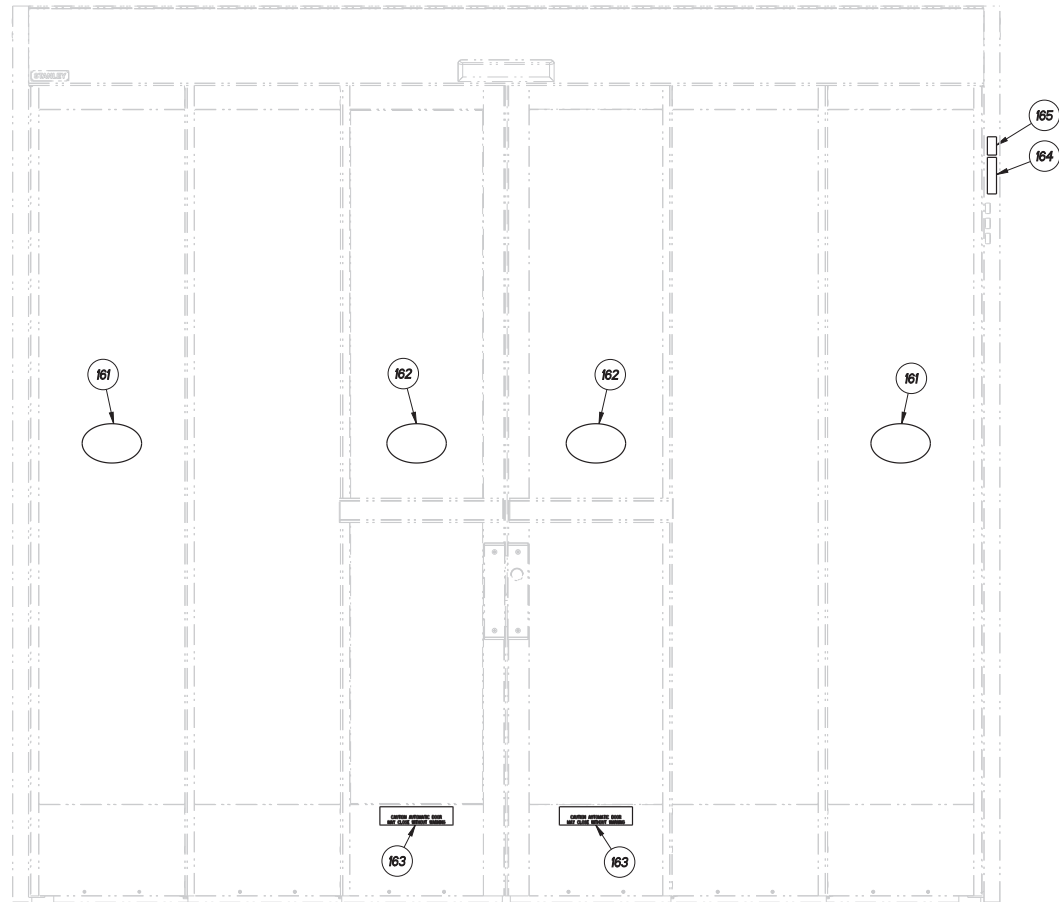
DURAFIT THRESHOLD

| ITEM | PART NUMBER | DESCRIPTION | QTY per PKG |
|------|--------------|----------------------------------|-------------|
| 157 | 517082-XXXXX | EXTRUSION-THRESHOLD-UNIV BEVEL | A/R |
| 158 | 517930-XXXXX | EXTRUSION-THRESHOLD-MODULAR CORE | A/R |
| 159 | 411795-XXXXX | EXTRUSION-STRIP-FILLER | A/R |
| 160 | 517083-XXXXX | EXTRUSION-THRESHOLD-UNIV SQUARE | A/R |



DURAFIT DECALS

| ITEM | PART NUMBER | DESCRIPTION | QTY per PKG |
|------|-------------|--------------------------------------|-------------|
| 161 | 700876 | DECAL-CAUTION STAND BACK | 2 |
| 162 | 714494 | LABEL-IN EMERGENCY PUSH TO OPEN | 2 |
| 163 | 700870 | DECAL-CAUTION-AUTOMATIC SLIDING DOOR | 2 |
| 164 | 414096 | LABEL-DOOR SERVICE VERTICAL | 1 |
| 165 | 412266 | LABEL-DAILY SAFETY CHECK | 1 |



STANLEY
Access Technologies