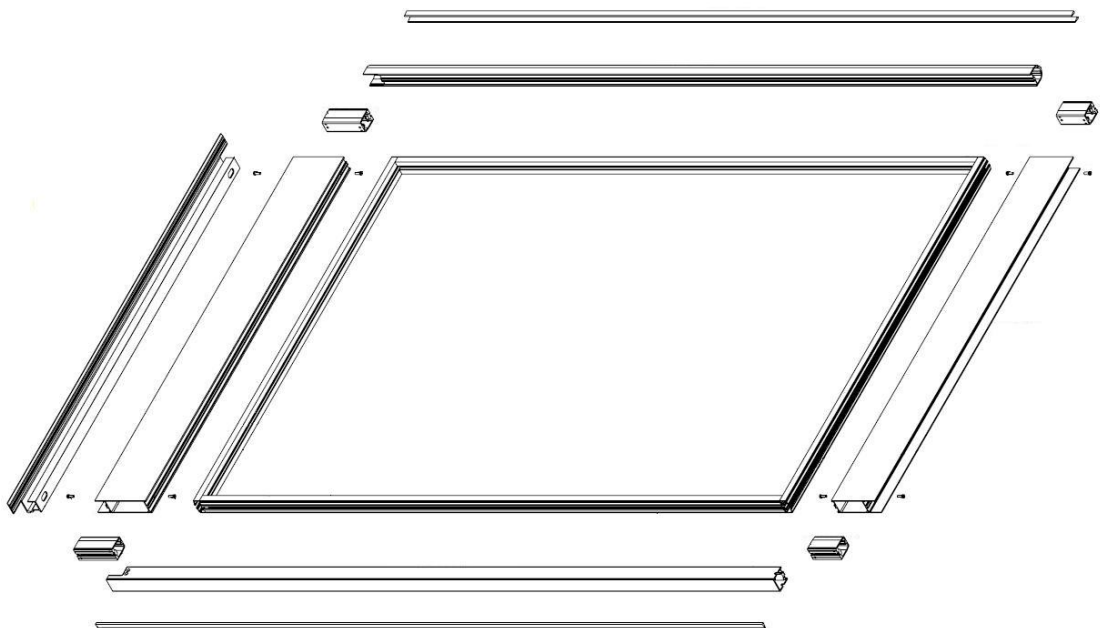


DORMA AUTOMATICS



PARTS
CATALOG





Automatics Part Number Description

D ◀ 1234 - ■ ●

First Character Always 'D' for DORMA

◀ **Second Character** Type of Part

C - Component, general component or machined extrusion

D - Decal, stickers and labels

E - Extrusion, aluminum or rubber with a variable length

F - Fastener, nuts, bolts, screws, and washers

K - Kit, a combination of many parts

S - Sub-Assembly, assembly of parts

X - Electronic, electrical parts such as wires, switches, etc...

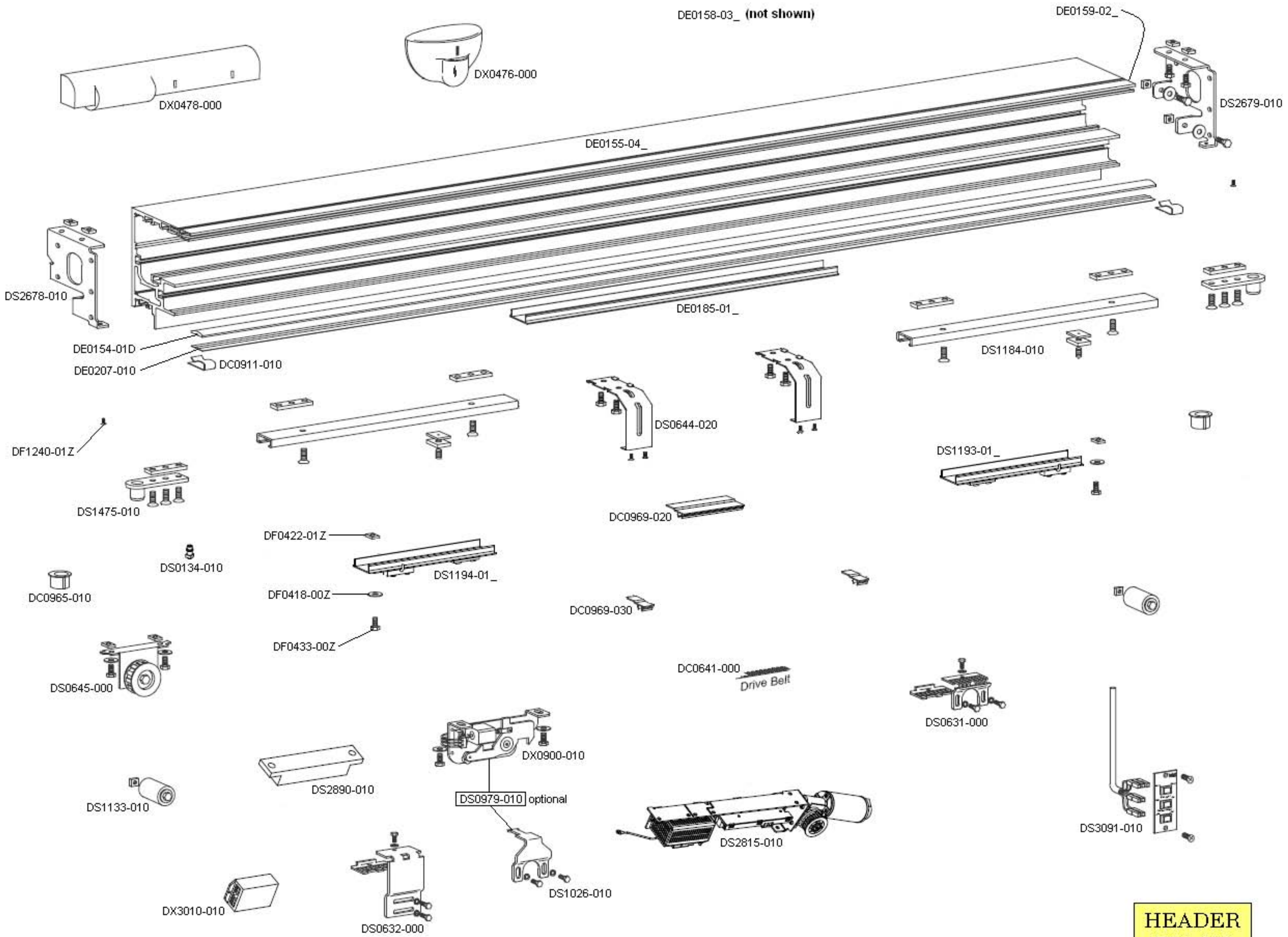
4-Digit Number Base Part Number

■ Configuration

-01_	First configuration or for left hand parts
-02_	Second configuration or for right hand parts
-M_	Medium stile configurations

● Finish

A	Clear anodized or satin silver finish
B	Dark bronze anodized
C	Black anodized, hardcoated, or paint
Z	Zinc plated (similar to chrome or nickel plate)



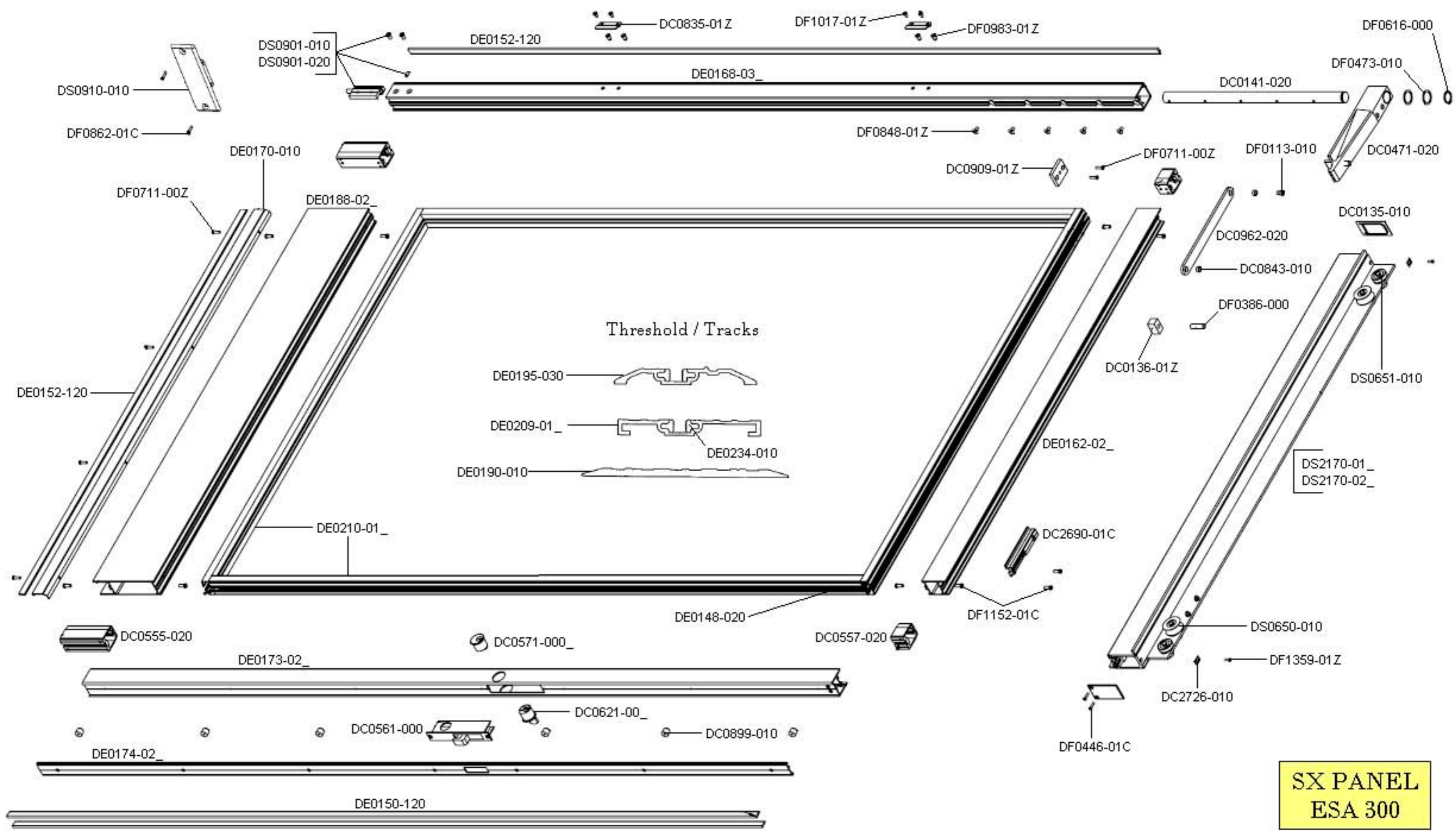
**HEADER
ESA 300**

ESA-300 SLIDING DOOR OPERATOR



PART #	DESCRIPTION	LIST PRICE
DC0641-000	Drive Belt, ES-A - LL 8M STPD	\$0.83
DC0911-010	Clip, Header Track	\$3.30
DC0965-010	Bushing, SO Eccentric Pivot	\$1.20
DC0969-020	Wire Clips, Header (400MM)	\$5.10
DC0969-030	Wire Clips, Header (20MM)	\$0.30
DE0154-01D	Roller Track ES-A	\$0.12 per inch
DE0155-04_	Header Profile ES-A FB	\$10.35 per inch
DE0158-03_	Header Faceplate FB	\$1.58 per inch
DE0159-02_	Header Adapt FB	\$0.60 per inch
DE0185-01_	Header Filler	\$0.19 per inch
DE0207-010	Rubber Track Damper	\$0.75 per inch
DF0418-00Z	5/16 Medium Lock S/ZN	\$0.15
DF0422-01Z	5/16-18 Square ZN	\$2.22
DF0433-00Z	5/16-18X5/8 HX HD CS S/ZN	\$0.45
DF1240-01Z	10-24X1/2 PH FL TYF ZN	\$0.15
DS0631-000	Lower Carrier Bracket	\$23.03
DS0632-000	Upper Carrier Bracket	\$23.40
DS0644-020	Faceplate Support	\$25.43
DS0645-000	Idler Pulley	\$43.80
DS0649-010	Motor/Gear Train/Bracket-3.3A	\$691.45
DS0979-010	Autolock-Retro Kit	\$592.00
DS1026-010	Autolock Bracket	\$11.02
DS1133-010	Endstop Bumper-Round	\$79.05
DS1184-010	SO Top Slide Track	\$36.45
DS1193-01_	SO Magnet Rail SXSO	\$22.58
DS1194-01_	SO Magnet Rail SXSO	\$22.58
DS1475-010	SO Top Pivot	\$57.90
DS2679-010	Header Bracket RH	\$7.92
DS2815-010	Mini Drive	\$1,134.24
DS2890-010	Battery Package Assembly	\$352.94
DS3091-010	Printed Switch Pilot Assembly	\$76.13
DX0476-000	BEA Eagle	\$335.95
DX0478-000	BEA Wizard	\$400.00
DX0824-010	Magnet Switch Assembly (not shown)	\$11.18
DX0900-010	Autolock, Fail Secure	\$179.94
DX3010-010	Microcell Beam Kit BEA	\$345.84

HEADER



**SX PANEL
ESA 300**

ESA-300 SLIDING DOOR OPERATOR



PART #	DESCRIPTION	LIST PRICE
DC0135-020	Carrier End Cap Plastic w/ Mounting Holes	\$3.83
DC0136-01Z	Adjustment Block - Carrier Arm	\$3.98
DC0141-020	SX Pivot Shaft	\$48.60
DC0471-020	ESA Carrier Pivot Arm	\$137.50
DC0555-020	Shear Block, Bottom - 4.783"	\$15.15
DC0557-020	Shear Block, Top - 1.374"	\$8.78
DC0561-000	Mortise Lock (MS Series HookBolt)	\$71.25
DC0571-00_	Lock Cylinder W/Key 1"	\$54.15
DC0621-00_	Lock Cylinder w/Thumbturn	\$61.05
DC0835-01Z	Interlock Clip	\$6.45
DC0843-010	Limit Arm Bushing	\$0.53
DC0899-010	Grommet - Astragal Adjustment	\$0.38
DC0909-01Z	SO Arm mounting block - Top	\$15.15
DC0962-020	Limit Arm - 250mm	\$16.35
DC2689-01C	SX Breakout Profile Bottom LH	\$4.35
DC2690-01C	SX Breakout Profile Bottom RH	\$4.35
DC2726-010	Carrier End Cap Top Clip - Black	\$5.58
DE0148-020	Glazing Bead (Vertical) & (Horizontal)	\$0.50 per inch
DE0150-120	Weatherstrip - SK2784 (8.4mm)	\$0.90 per inch
DE0152-120	Weatherstrip - SK27159 (15.9mm)	\$0.98 per inch
DE0162-02_	SX Top Rail - LH - RH	\$1.43 per inch
DE0168-03_	Pivot Interlock Stile SX - LH - RH	\$1.65 per inch
DE0170-010	Door Panel Floor Sweep	\$0.12 per inch
DE0173-02_	Lead Stile w/Lock	\$1.28 per inch
DE0174-02_	Lead Astragal w/Lock Prep	\$0.30 per inch
DE0188-02_	"FX" "SX" Bottom Rail	\$2.78 per inch
DE0190-010	Threshold 1/8" X 3 1/4" Mill	\$0.53 per inch
DE0195-030	Bottom Track FBO	\$1.20 per inch
DE0209-01_	Recessed Bottom Track FBO	\$1.20 per inch
DE0210-01_	Glass Stop (Vertical) & (Horizontal)	\$3.15 per inch
DE0234-010	Track Cap Bottom Guide	\$0.15 per inch

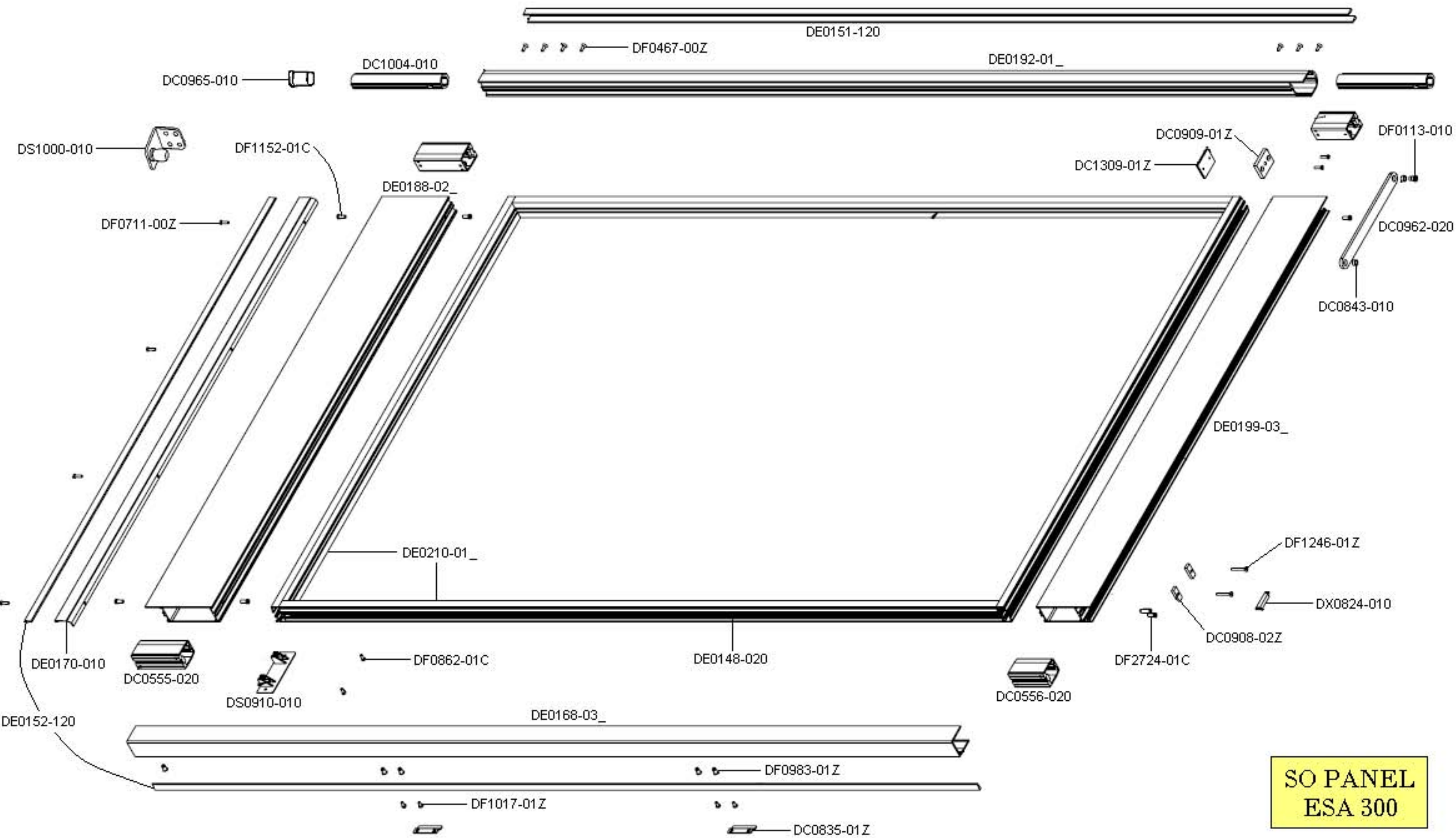
SX PANEL

ESA-300 SLIDING DOOR OPERATOR



PART #	DESCRIPTION	LIST PRICE
DF0113-010	Limit Arm Screw	\$0.98
DF0386-000	7/16-14 X 1" Socket Set Screw Cup Pt	\$2.55
DF0446-01C	#8 X 3/4 Ph FH A S/Black	\$0.15
DF0473-010	Washer - SX Pivot Shaft	\$2.22
DF0616-000	Snap Ring - 1"	\$0.60
DF0711-00Z	10-24 X 3/4 Phillips Flat Head Sheet Metal screw	\$2.22
DF0848-01Z	1/4-20 X 1/2 FH Soc MS - Zinc	\$2.22
DF0862-01C	10-24X1/2 PH FL BLK	\$0.15
DF0983-01Z	10-24 Steel Open End Flanged Rivnut	\$0.83
DF1017-01Z	Screw - 10-24 X 3/8 PHL PNH MS ZINC	\$0.45
DF1152-01C	1/4-20 X 5/8" LHSCS - Black	\$2.22
DF1359-01Z	8-32 X 1/2 Ph FH A S - zinc	\$2.22
DS0650-010	Drive Wheel Assembly	\$46.73
DS0651-010	Offset Wheel Assembly	\$12.00
DS0901-010	SX Bottom Pivot Assembly	\$15.45
DS0901-020	SX Bottom Pivot Assembly	\$15.45
DS0910-010	Bottom Latch Assembly	\$55.13
DS1120-010	Breakout Assembly LH (not shown)	\$51.15
DS1121-010	Breakout Assembly RH (not shown)	\$57.68
DS2170-01_	Carrier Assembly - LH (SO-SX)	\$203.01
DS2170-02_	Carrier Assembly - RH (SX-SO)	\$205.32
DS2915-010	Breakout Assembly, Adams Rite LH (not shown)	\$52.13
DS2915-020	Breakout Assembly, Adams Rite RH (not shown)	\$52.13

SX PANEL (2)



**SO PANEL
 ESA 300**

ESA-300 SLIDING DOOR OPERATOR



PART #	DESCRIPTION	LIST PRICE
DC0146-010	Spring Detent Latch Assembly	\$37.95
DC0555-020	Shear Block, Bottom - 4.783"	\$15.15
DC0556-020	Shear Block, Bottom - 3.555"	\$12.30
DC0835-01Z	ESA300 Interlock Clip	\$6.45
DC0843-010	Limit Arm Bushing	\$0.53
DC0908-02Z	SO Top Latch Spacer Block - 1/4"	\$4.50
DC0909-01Z	SO Arm mounting block - Top	\$15.15
DC0962-020	Limit Arm - 250mm	\$2.18
DC1004-010	SO Pivot shaft-Combo	\$7.43
DC1309-01Z	SO Arm mounting block	\$9.15
DE0148-020	Glazing Bead (Vertical) & (Horizontal)	\$0.28 per inch
DE0151-120	Weatherstrip - SK27134 (13.4 mm)	\$0.98 per inch
DE0152-120	Weatherstrip - SK27159 (15.9mm)	\$0.98 per inch
DE0168-03_	SO Interlock Rail Narrow Style - LH - RH	\$1.65 per inch
DE0170-010	Door Panel Floor Sweep	\$0.23 per inch
DE0188-02_	SO Bottom Rail - LH - RH	\$2.78 per inch
DE0192-01_	SO Pivot Stile	\$1.43 per inch
DE0199-03_	SO Top Rail - LH - RH	\$2.55 per inch
DE0210-01_	Glass Stop (Vertical) & (Horizontal)	\$3.15 per inch
DF0113-010	Limit Arm Screw	\$0.98
DF0467-00Z	10-24 X 5/8 SOC HD Flat Head Screw ZINC	\$0.75
DF0711-00Z	10-24 X 3/4 Phillips Flat Head Sheet Metal screw	\$2.22
DF0862-01C	10-24 X 1/2 Phillips Flat Head Screw	\$0.15
DF0983-01Z	10-24 Steel Open End Flanged Rivnut	\$0.83
DF1017-01Z	Screw - 10-24 X 3/8 PHL PNH MS ZINC	\$0.45
DF1152-01C	1/4-20 X 5/8" LHSCS - Black	\$2.22
DF1246-01Z	10-24 X 1 1/2 FL HD SOC CS ZINC	\$1.13
DF2724-01C	Screw - 3/8-16 X 1" socket set screw w/nylon tip	\$2.22
DS0910-010	SO Bottom Latch Assembly side panel	\$55.05
DX0824-010	Magnet Switch Assembly	\$11.18
DC0965-000	Eccentric Pivot Bushing	\$1.28
DS1000-010	Bottom Pivot Assembly	\$47.85

SO PANEL