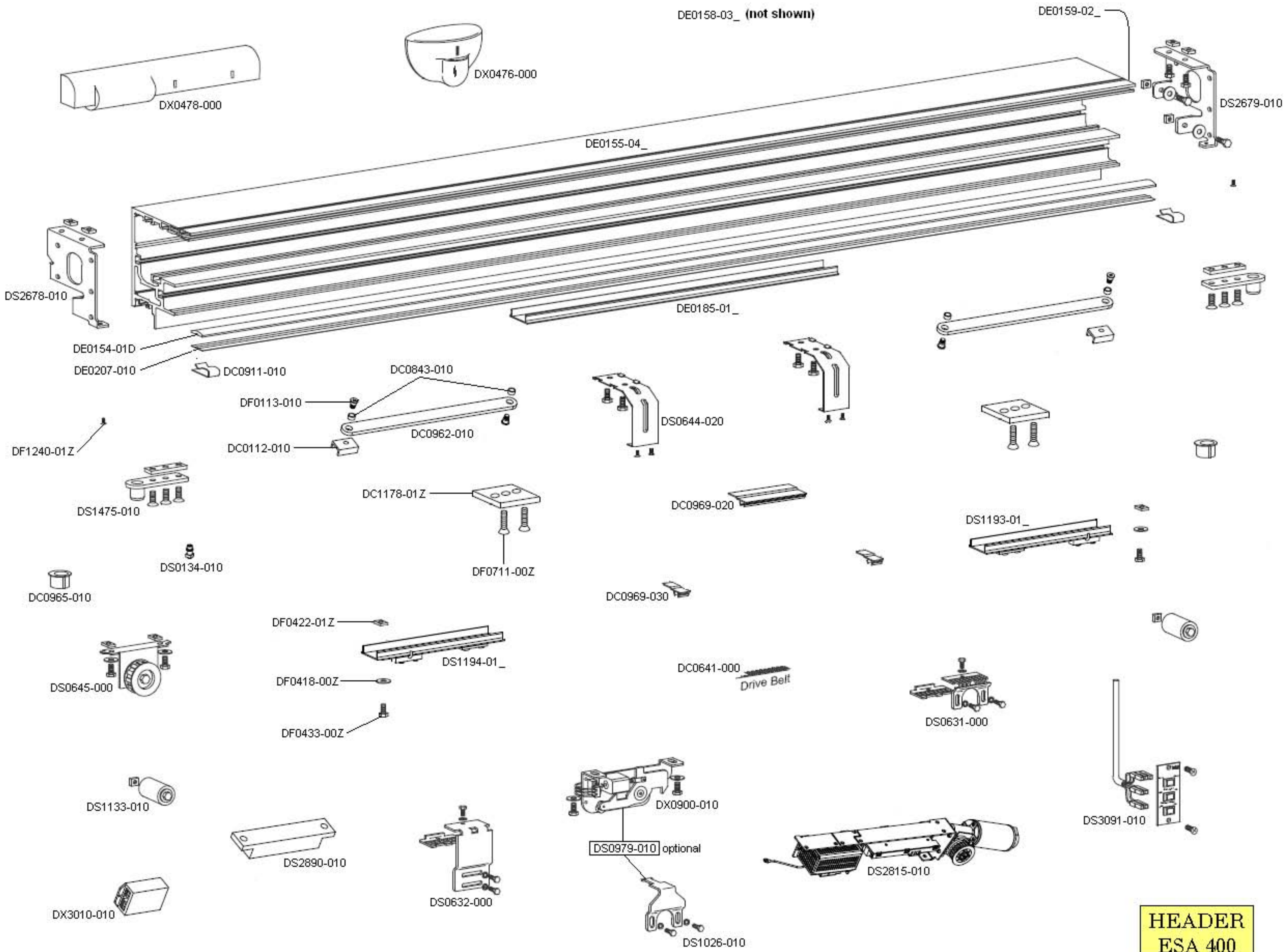


ESA-400 SLIDING DOOR OPERATOR



PART #	DESCRIPTION	LIST PRICE
DC0112-010	Slide Piece ITS	\$2.18
DC0641-000	Drive Belt, ES-A - LL 8M STPD	\$0.83
DC0843-010	Bushing - SO Arm	\$0.53
DC0911-010	Clip, Header Track	\$3.30
DC0962-010	Arm, SO 320MM	\$10.80
DC0965-010	Bushing, SO Eccentric Pivot	\$1.20
DC0969-020	Wire Clips, Header (400MM)	\$5.10
DC0969-030	Wire Clips, Header (20MM)	\$0.30
DC1178-01Z	Block, SO Arm MTG - FF	\$16.13
DE0154-01D	Roller Track ES-A	\$0.12 per inch
DE0155-04_	Header Profile ES-A FB	\$10.35 per inch
DE0158-03_	Header Faceplate FB	\$1.58 per inch
DE0159-02_	Header Adapt FB	\$0.60 per inch
DE0185-01_	Header Filler	\$0.19 per inch
DE0207-010	Rubber Track Damper	\$0.75 per inch
DF0113-010	M8 X 1 ITS ARM SCR (SL BLOCK)	\$0.98
DF0418-00Z	5/16 Medium Lock S/ZN	\$0.15
DF0422-01Z	5/16-18 Square ZN	\$2.22
DF0433-00Z	5/16-18X5/8 HX HD CS S/ZN	\$0.45
DF0711-00Z	10-24 X 3/4 PH FLH TYF ZN	\$2.22
DF1240-01Z	10-24X1/2 PH FL TYF ZN	\$0.15
DS0631-000	Lower Carrier Bracket	\$23.03
DS0632-000	Upper Carrier Bracket	\$23.40
DS0644-020	Faceplate Support	\$25.43
DS0645-000	Idler Pulley	\$43.80
DS0649-010	MOTOR/GEAR TRAIN/BACKET-3.3A	\$403.86
DS0979-010	Autolock-Retro Kit	\$189.17
DS1026-010	Autolock Bracket	\$12.38
DS1133-010	Endstop Bumper-Round	\$79.05
DS1193-01_	SO Magnet Rail SXSO	\$22.58
DS1194-01_	SO Magnet Rail SXSO	\$22.58
DS1475-010	SO Top Pivot	\$57.90
DS2679-010	Header Bracket RH	\$7.92
DS2815-010	Mini Drive	\$1,134.24
DS2890-010	Battery Package Assembly	\$352.94
DS3091-010	Printed Switch Pilot Assembly	\$76.13
DX0476-000	BEA Eagle	\$335.95
DX0478-000	BEA Wizard	\$400.00
DX0900-010	Autolock, Fail Secure	\$179.94
DX3010-010	Microcell Beam Kit BEA	\$345.84

HEADER



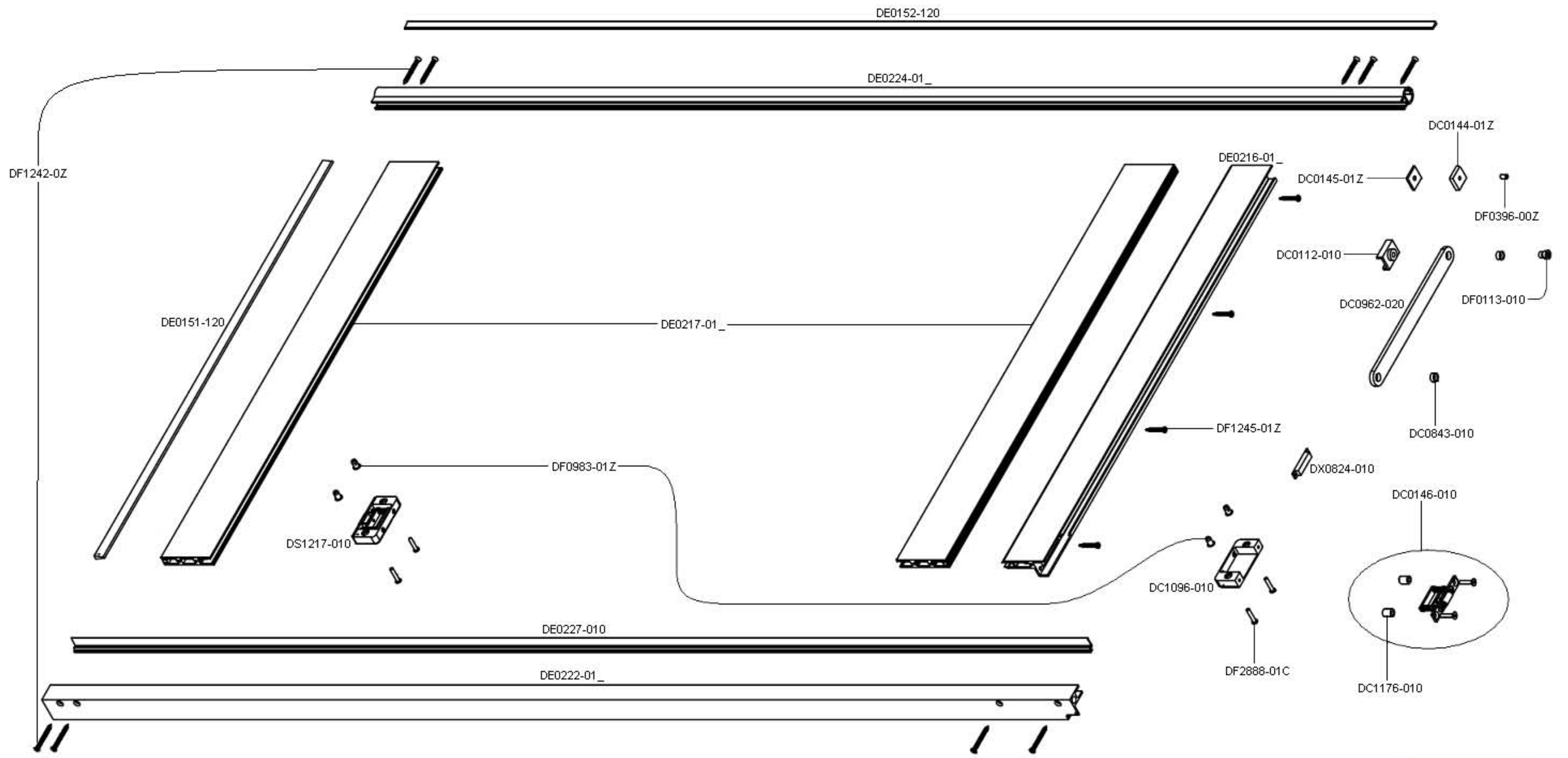
**HEADER
ESA 400**

ESA-400 SLIDING DOOR OPERATOR



PART #	DESCRIPTION	LIST PRICE
DC0112-010	Slide Piece ITS	\$2.18
DC0144-01Z	SX / SO Arm Stop Top	\$3.42
DC0145-01Z	SX / SO Arm Stop Bottom	\$1.47
DC0146-010	Spring Detent Latch Assembly	\$37.95
DC0843-010	Bushing - SO Arm	\$0.53
DC0962-020	Limit Arm - 250mm	\$16.35
DC1096-010	SO Latch Bracket - FF	\$6.00
DC1176-010	"SO" Top Latch Spacer FF	\$7.50
DE0151-120	Weatherstrip - SK27134 (13.4 mm)	\$0.98 per inch
DE0152-120	Weatherstrip - SK27159 (15.9mm)	\$0.98 per inch
DE0216-01_	"SO" Top Rail (LH) - (RH)	\$0.68 per inch
DE0217-01_	"SO" Bottom Rail (LH - RH) and TOP Rail Extension	\$0.79 per inch
DE0222-01_	"SO" Interlock Stile - FF	\$0.90 per inch
DE0224-01_	"SO" Pivot Stile - FF	\$0.68 per inch
DE0227-010	Interlock Gasket - FF	\$0.90 per inch
DF0113-010	Limit arm Screw	\$0.98
DF0396-00Z	1/4-20 X 1/2 Soc Set Cone Pt Zinc	\$1.73
DF0983-01Z	10-24 Steel Open End Flanged Rivnut	\$0.83
DF1242-01Z	10 X 2 PH FL TY AB	\$0.38
DF1245-01Z	#8-18 X 1 1/4 Phillips Pan Head Self-Drilling Screw	\$0.53
DF2888-01C	10-24 X 1 Philips Flat Head Thread Machine Screw	\$0.23
DS1217-010	"SO" Bottom Latch Assembly	\$133.88
DX0824-010	Magnet Switch Assembly	\$11.18

SO PANEL



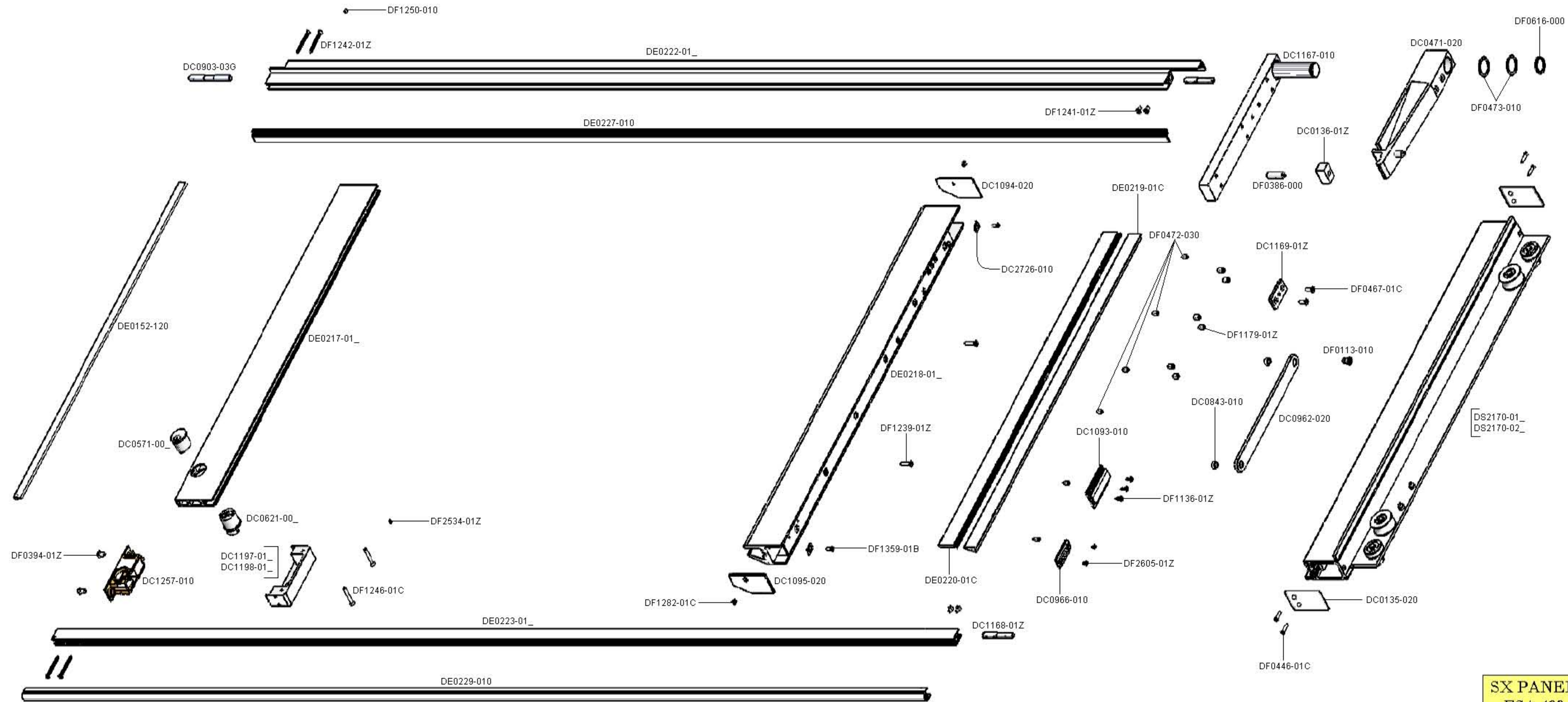
SO PANEL
ESA 400

ESA-400 SLIDING DOOR OPERATOR



PART #	DESCRIPTION	LIST PRICE
DC0135-020	Carrier End Cap Plastic w/ Mounting Holes	\$3.83
DC0136-01Z	Adjustment Block - Carrier Arm	\$3.98
DC0471-020	ESA Carrier Pivot Arm	\$84.69
DC0571-00_	Lock Cylinder W/Key 1"	\$54.15
DC0621-00_	Lock Cylinder W/Thumbturn	\$61.05
DC0843-010	Bushing - SX Arm	\$0.53
DC0903-03G	SX Bottom Guide Shaft	\$3.75
DC0962-020	Limit Arm - 250mm	\$16.35
DC0966-010	Latch Stop, "SO" Lower	\$1.43
DC1093-010	"SX" Door Breakout Bracket	\$5.25
DC1094-020	Top Rail End Cap (LH)	\$6.83
DC1095-020	Top Rail End Cap (RH)	\$6.83
DC1167-010	"SX" Pivot Arm FF	\$53.25
DC1168-01Z	"SX" Pivot Arm Connector	\$21.30
DC1169-01Z	"SX" Arm Block	\$20.63
DC1197-01_	Lock Housing SO-SX	\$109.38
DC1198-01_	Lock Housing SX-SO	\$109.38
DC1257-010	Lock Body W/Out Cylinders	\$241.88
DC2726-010	Carrier End Cap Top Clip	\$241.88
DE0152-120	Weatherstrip - SK27159 (15.9mm)	\$0.15 per inch
DE0217-01_	"SX" Bottom Rail	\$1.58 per inch
DE0218-01_	"SX" Top Rail	\$3.53 per inch
DE0219-01C	"SX" Clamping Wedge	\$0.45 per inch
DE0220-01C	Extrusion - Comp. Rail "SX" Panel	\$0.53 per inch
DE0222-01_	"SX" Interlock Stile (LH)	\$0.90 per inch
DE0223-01_	"SX" Lead Stile	\$0.45 per inch
DE0227-010	Interlock Gasket	\$0.90 per inch
DE0229-010	Closing edge gasket, Convex	\$0.08 per inch
DF0113-010	Limit Arm Screw	\$0.98
DF0386-000	7/16-14 X 1" Socket Set Screw Cup	\$2.55
DF0394-01Z	1/4-20 X 1/2 Ph UNC FH MS Zinc	\$3.90
DF0446-01C	#8 X 3/4 Ph FH A S/Black	\$0.15
DF0467-01C	10-24 X 5/8" Socket Flat Head Black	\$2.22
DF0472-030	1/4-20 X 1/2 Socket Set Screw Full Dog Pt	\$1.73
DF0473-010	Washer - SX Pivot Shaft	\$2.22
DF0616-000	Snap Ring - 1"	\$0.60
DF1136-01Z	8-18 X 1/2 PH PN Self Taping Screw	\$0.08
DF1179-01Z	5/16-18 X 1/2 Sock Set Screw Cup Point	\$0.98
DF1239-01Z	10-24 X 1" FL HD SOC CS ZINC, Screw	\$0.38
DF1241-01Z	10-24 X 3/8 FH SKT HD Screw	\$0.19
DF1242-01Z	10 X 2 PH FL TY AB	\$0.19
DF1246-01C	10-24 X 1-1/2 Flat Head Socket Cap Screw - Black	\$1.13
DF1250-010	1/4-20 X 1/4 Cup Point Set Screw w/Patch	\$2.22
DF1282-01C	10-32 X 1/4 PH FL HD	\$0.08
DF1359-01B	8-32 X 1/2 PH FL HD MS DB	\$0.23
DF2534-01Z	Rivet, Spiral Cut FF	\$2.22
DF2605-01Z	#8 X 3/8 PH FL HD Self Taping Screw	\$2.22
DS2170-01_	Carrier Assembly - LH (SO-SX)	\$203.07
DS2170-02_	Carrier Assembly - RH (SX-SO)	\$205.43

SX PANEL



SX PANEL
ESA 400