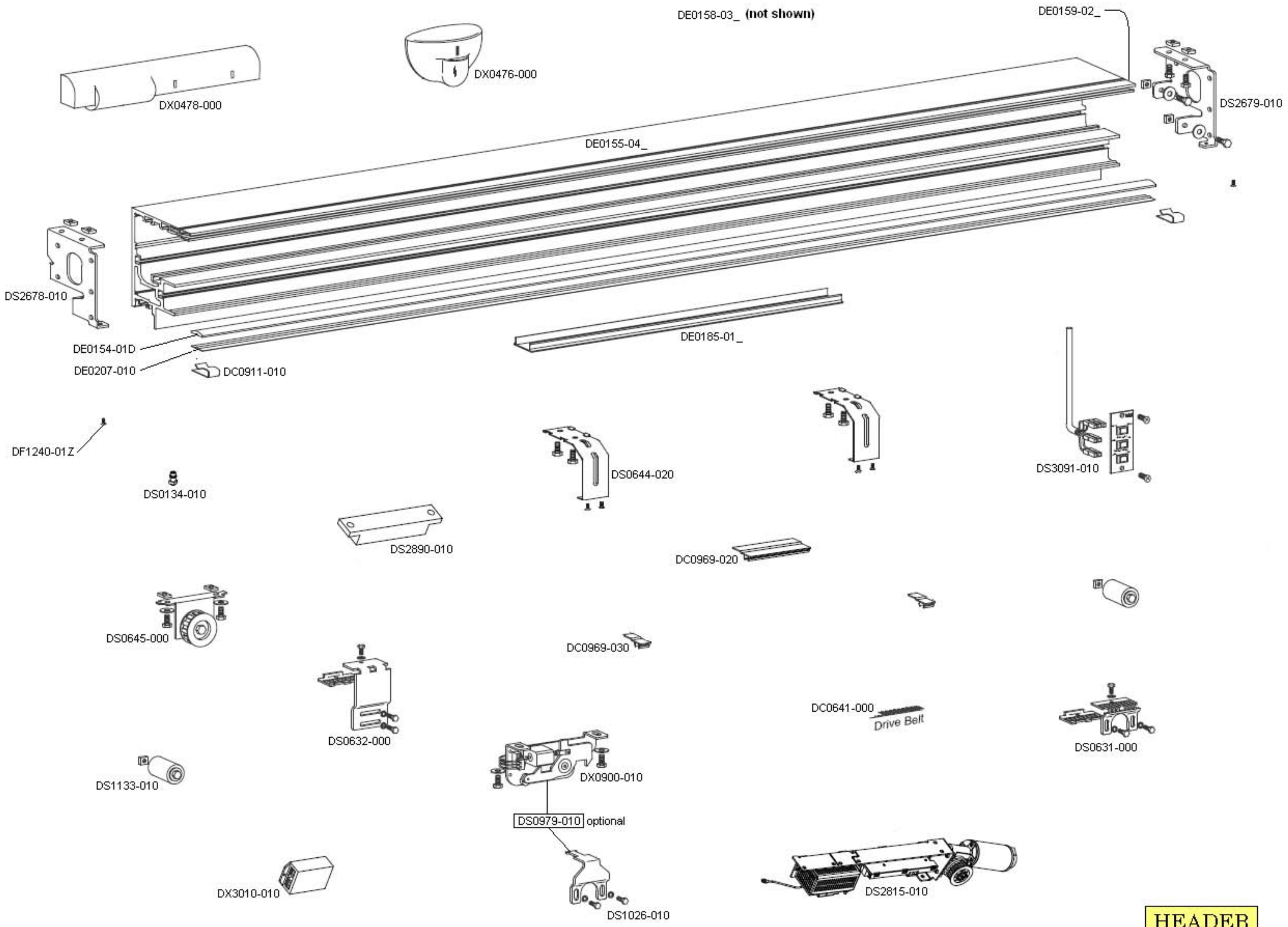


ESA-500 SLIDING DOOR OPERATOR



PART #	DESCRIPTION	LIST PRICE
DC0641-000	Drive Belt, ES-A - LL 8M STPD	\$0.83
DC0911-010	Clip, Header Track	\$3.30
DC0969-020	Wire Clips, Header (400MM)	\$5.10
DC0969-030	Wire Clips, Header (20MM)	\$0.30
DE0154-01D	Roller Track ES-A	\$0.12 per inch
DE0155-04_	Header Profile ES-A FB	\$10.35 per inch
DE0158-03_	Header Faceplate FB	\$1.58 per inch
DE0159-02_	Header Adapt FB	\$0.60 per inch
DE0185-01_	Header Filler	\$0.19 per inch
DE0207-010	Rubber Track Damper	\$0.75 per inch
DF1240-01Z	10-24X1/2 PH FL TYF ZN	\$0.15
DS0631-000	Lower Carrier Bracket	\$23.03
DS0632-000	Upper Carrier Bracket	\$23.40
DS0644-020	Faceplate Support	\$25.43
DS0645-000	Idler Pulley	\$43.80
DS0649-010	Motor/Gear Train/Bracket - 3.3A	\$403.86
DS0979-010	Autolock-Retro Kit	\$189.17
DS1026-010	Autolock Bracket	\$12.38
DS1133-010	Endstop Bumper-Round	\$79.05
DS2679-010	Header Bracket RH	\$7.92
DS2815-010	Mini Drive	\$1,134.24
DS2890-010	Battery Package Assembly	\$352.94
DS3091-010	Printed Switch Pilot Assembly	\$76.13
DX0476-000	BEA Eagle	\$335.95
DX0478-000	BEA Wizard	\$400.00
DX0900-010	Autolock, Fail Secure	\$179.94
DX3010-010	Microcell Beam Kit BEA	\$345.84

HEADER



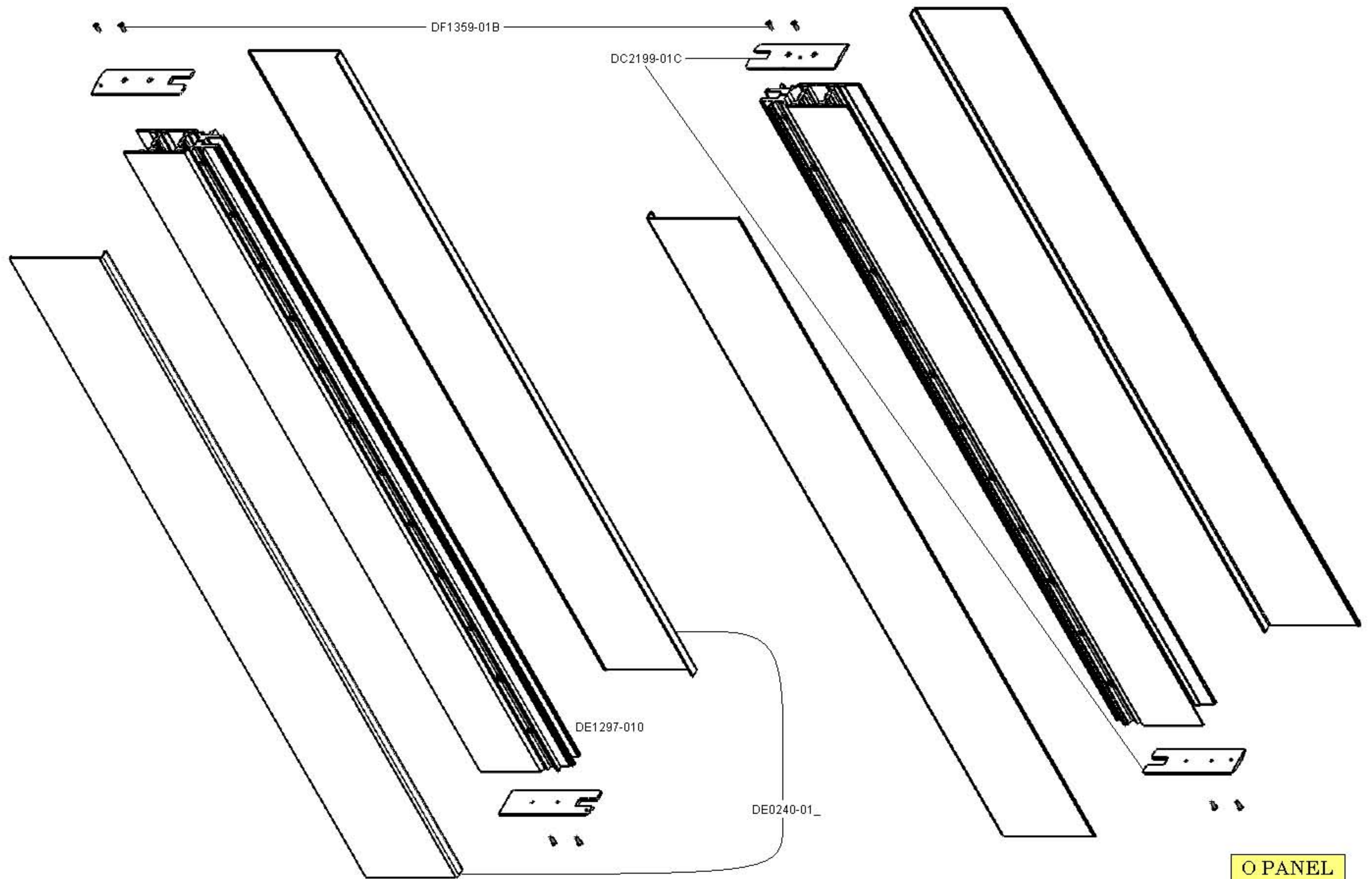
**HEADER
ESA 500**

ESA-500 SLIDING DOOR OPERATOR

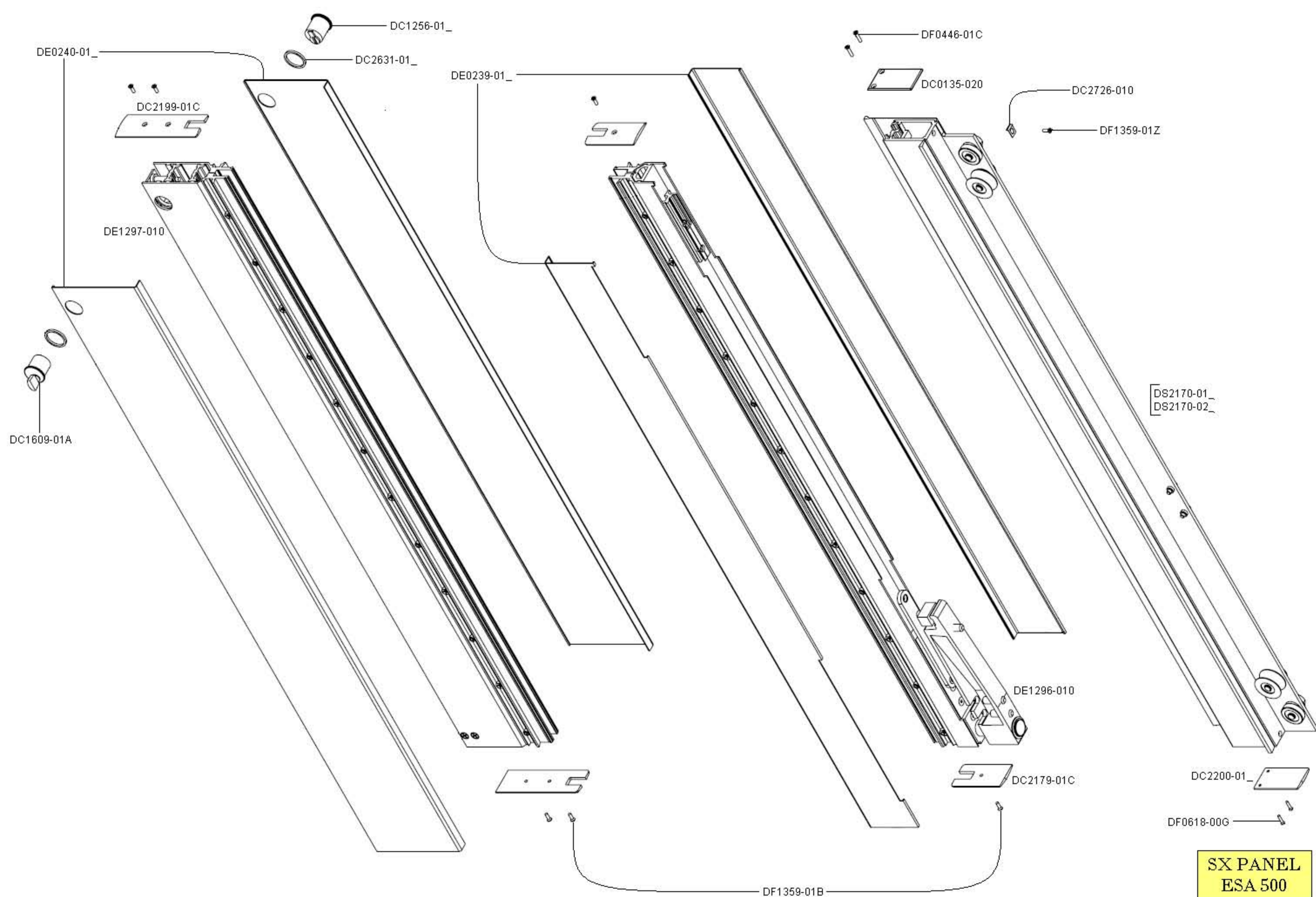


PART #	DESCRIPTION	LIST PRICE
DC0135-020	Carrier End Cap Plastic w/ Mounting Holes	\$3.83
DC1256-01_	Lock Cylinder W/Key 1-1/8"	\$4.46
DC1609-01_	Lock Cylinder W/Thumbturn	\$24.45
DC2179-01C	5/8" Rail End Cap	\$48.00
DC2199-01C	6" Rail End Cap	\$76.00
DC2200-01_	Carrier End Cap	\$105.69
DC2631-01_	Spacer, Cylinder Lock	\$20.48
DC2726-010	Carrier End Cap Top Clip - Black	\$6.00
DE0239-01_	5/8" Top Rail Cover RH (SX-O)	\$0.83 per inch
DE0239-01_	Snap Cover 3.615	\$0.83 per inch
DE0240-01_	Bottom Cover LH (O-SX)	\$1.65 per inch
DE1296-010	Top Rail Assembly LH (O-SX)	\$253.80
DE1297-010	Bottom Rail Assembly RH (SX-O)	\$273.60
DF0446-01C	#8 X 3/4 Ph FH A S/Black	\$0.08
DF0618-00G	#6 X 5/8 Ph FH Sheet Metal Screw	\$2.22
DF1359-01B	8-32 X 1/2 PH FL HD MS DB	\$0.12
DF1359-01Z	8-32 X 1/2 Ph FH A S - zinc	\$2.22
DS2170-01_	Carrier Assembly - LH (SO-SX)	\$203.07
DS2170-02_	Carrier Assembly - RH (SX-SO)	\$205.43
DS2567-010	Bottom Rail Assembly LH (O-SX)	\$422.00

O/SX PANEL



O PANEL
ESA 500



SX PANEL
ESA 500