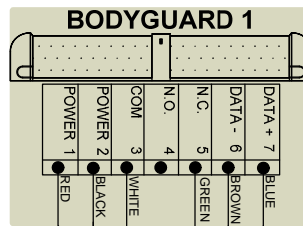
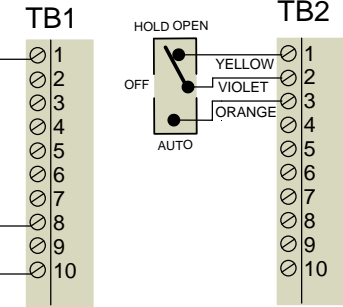


MC521	TB-1	TB-2	TB-3	TB-4	TB-5
TERMINAL #	1) CONN. RESISTOR FROM 1 TO 8	HOLD OPEN	12VAC	12VAC	12VAC
	2)	COMMON	12VAC	12VAC	12VAC
	3)	AUTOMATIC	COMMON	COMMON	
	4)		STALL	OPERATE	
	5)		12VAC	12VAC	12VAC
	6)		12VAC	12VAC	12VAC
	7)		COMMON	COMMON	HOLD BEAM
	8) BODY GUARD DATA POSITIVE		SAFETY	SAFETY	COMMON
	9)		BREAK OUT	PUSH PLATE	
	10) BODY GUARD DATA NEGATIVE		COMMON	COMMON	

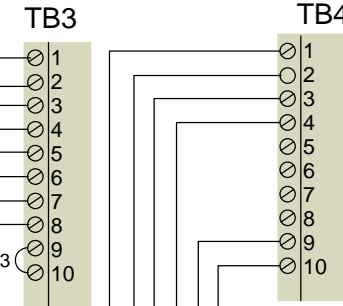
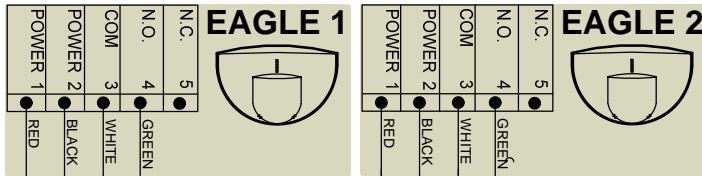


SEE NOTE 1

### STANLEY MC521 CONTROL

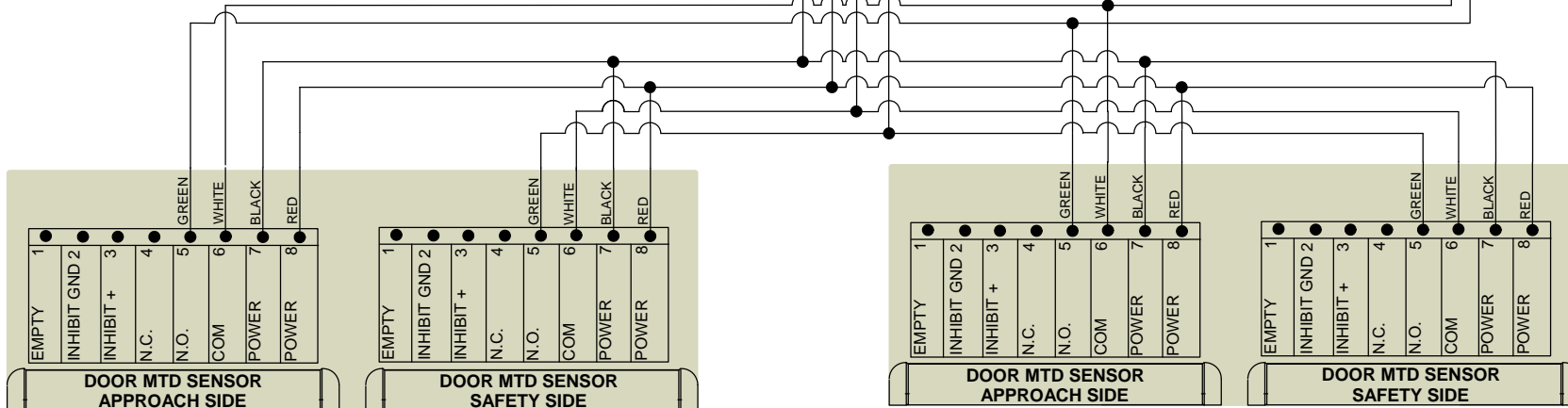


STANLEY  
PT. # 516861  
(300 OHM 10%  
5 WATT RESISTOR)



SEE NOTE 2

SEE NOTE 3



- NOTE 1) SET BODY GUARD OUT PUT CONFIGURATION TO 2.  
 2) USE AUXILIARY SWITCH ON OPERATOR TO INHIBIT SAFETY SIDE SUPER SCANS. SWITCH SHOULD OPEN AT 65 DEGREES.  
 3) INSTALL JUMPER IF NO BREAK OUT SWITCH IS INSTALLED  
 4) FOR MORE INFORMATION ON THE STANLEY MC521 CONTROL SEE MANUAL 204027.

IF AFTER TROUBLESHOOTING A PROBLEM, A SATISFACTORY SOLUTION CANNOT BE ACHIEVED, PLEASE CALL B.E.A., INC. FOR FURTHER ASSISTANCE DURING EASTERN STANDARD TIME AT 1-800-523-2462 FROM 8AM - 5PM. FOR AFTER-HOURS, CALL EAST COAST: 1-866-836-1863 OR 1-800-407-4545 / MID-WEST: 1-888-308-8843 / WEST COAST: 1-888-419-2564. DO NOT LEAVE ANY PROBLEM UNRESOLVED. IF YOU MUST WAIT FOR THE FOLLOWING WORKDAY TO CALL B.E.A., LEAVE THE DOOR INOPERABLE UNTIL SATISFACTORY REPAIRS CAN BE MADE. NEVER SACRIFICE THE SAFE OPERATION OF THE AUTOMATIC DOOR OR GATE FOR AN INCOMPLETE SOLUTION. WEB: WWW.BEASENSORS.COM



**BEA**  
OPEN UP NEW HORIZONS  
HALMA GROUP COMPANY

100 ENTERPRISE DRIVE  
PITTSBURGH, PA 15275  
PHONE: (412) 249-4100  
FAX: (412) 249-4101  
EMAIL: www.beasensors.com

**TITLE: STANLEY MC521 - PARALLAX II**

SIZE: A	DRAWN BY: WJR	REV BY:	PART NO: XX.XXXX.XX
SCALE: NONE	DATE: 14 NOV 2008	SHEET: 1 OF 1	