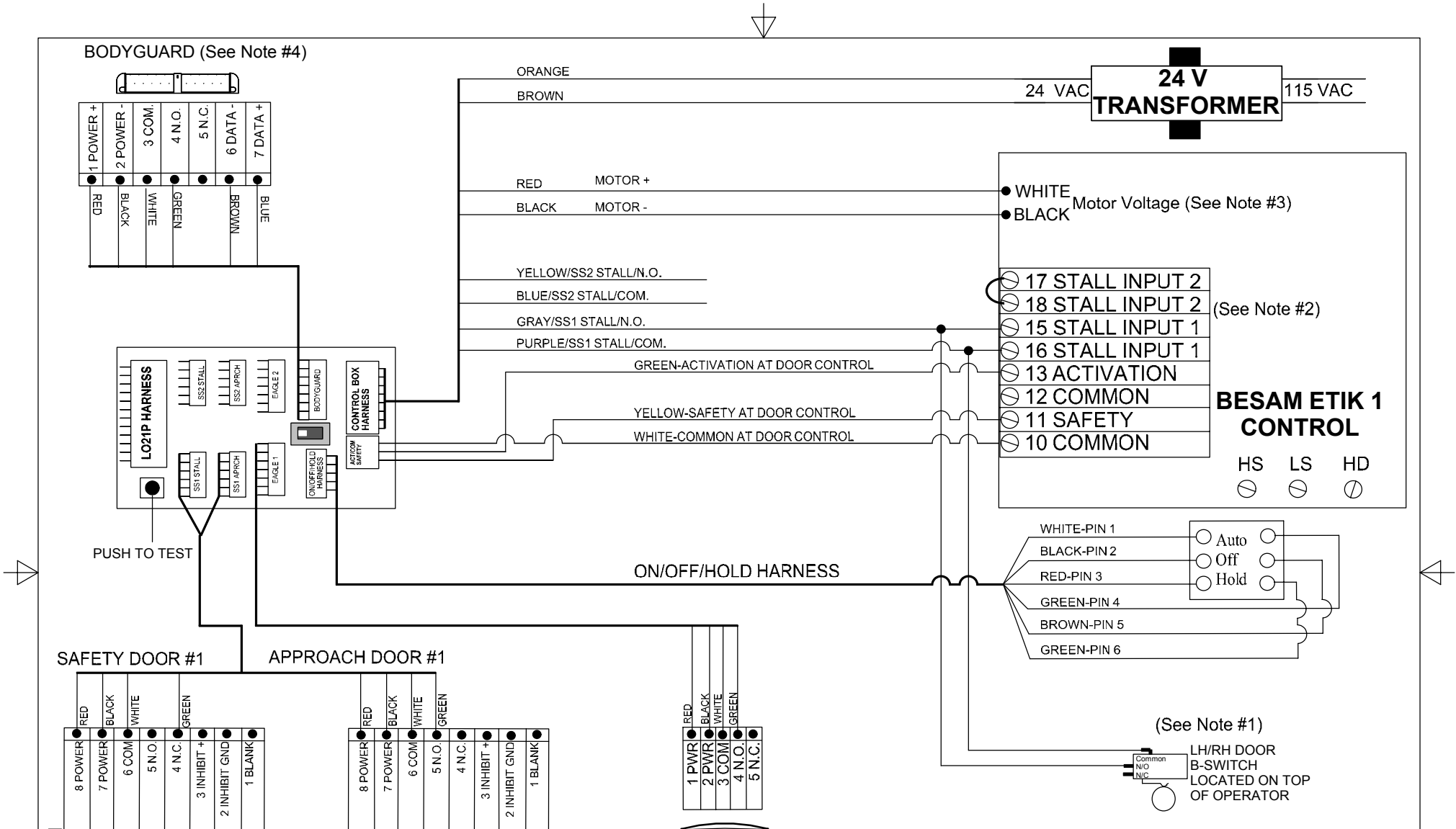
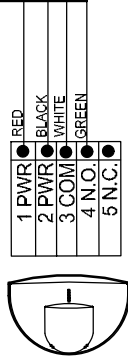
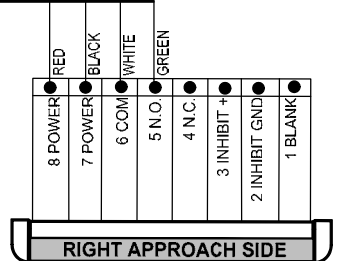
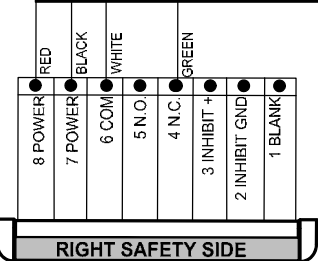


BODYGUARD (See Note #4)



SAFETY DOOR #1

APPROACH DOOR #1



- NOTES: 1) WHEN REQUIRED, SET B-SWITCH TO NORMALLY OPEN PIN AND VERIFY IT CLOSSES AT APPROX. 65-70 DEGREES.  
 2) INSTALL A JUMPER WIRE ON PINS 17 & 18 IF SINGLE DOOR. WIRE SAFETY SIDE SUPERSkans N.C. ON TERMINAL 4 & 6  
 3) RH MOTOR SHOWN, REVERSE MOTOR SWITCH ON PARALLINK FOR LH MOTOR.  
 4) BODYGUARD MUST BE PROGRAMMED TO RELAY VALUE 2. DEFAULT IS 1.

IF AFTER TROUBLESHOOTING A PROBLEM, A SATISFACTORY SOLUTION CANNOT BE ACHIEVED, PLEASE CALL B.E.A., INC. FOR FURTHER ASSISTANCE DURING EASTERN STANDARD TIME AT 1-800-523-2462 FROM 8AM - 5PM. FOR AFTER-HOURS, CALL EAST COAST: 1-866-836-1863 OR 1-800-407-4545 / MID-WEST: 1-888-308-8843 / WEST COAST: 1-888-419-2564. DO NOT LEAVE ANY PROBLEM UNRESOLVED. IF YOU MUST WAIT FOR THE FOLLOWING WORKDAY TO CALL B.E.A., LEAVE THE DOOR INOPERABLE UNTIL SATISFACTORY REPAIRS CAN BE MADE. NEVER SACRIFICE THE SAFE OPERATION OF THE AUTOMATIC DOOR OR GATE FOR AN INCOMPLETE SOLUTION. WEB: WWW.BEASENSORS.COM

**BEA**  
 We open up New Horizons  
 A HALMA GROUP COMPANY  
 100 ENTERPRISE DRIVE  
 PITTSBURGH, PA 15275  
 PHONE: (412) 249-4100  
 FAX: (412) 249-4101  
 EMAIL: www.beasensors.com

**TITLE: PARALLINK, BESAM SWINGMASTER ETIK 1 CONTROL**

SIZE: <b>A</b>	DRAWN BY: KJG	REV BY: TUC	PART NO: <b>80.0218.01</b>
	SCALE: NONE	DATE: 19SEP2005	SHEET 1 OF 1