



# **TORMAX**

## **AUTOMATIC**

---

# **TTX-II**

---

# ***PARTS CATALOGUE***

---

TORMAX TECHNOLOGIES

12859 Wetmore Rd.  
SAN ANTONIO, TX 78247  
(210) 494-3551  
(210) 494-5930 [FAX]

v1.04



141022-UL  
 TTX II COMPLETE OPERATOR  
 US800916  
 TTX II REBUILT OPERATOR (IN WARRANTY)



404762  
 TTX II REPLACEMENT MOTOR



404792  
 TTX II REPLACEMENT CONTROLLER



406079  
 TTX II COMMUNICATION LINK V1.4  
 (SIM PR & DBL EGRESS APPLICATION)



US800341  
 OLD STYLE TTX II 3-POSITION DPDT  
 ON/OFF/HO SWITCH WITH HARNESS  
 (ONLY USED WITH DPDT RELAY, SIDE LOAD)



141154  
 (TTX II/1301) ON/OFF/HOLD OPEN  
 SWITCH WITH HARNESS  
 (SIDE LOAD)



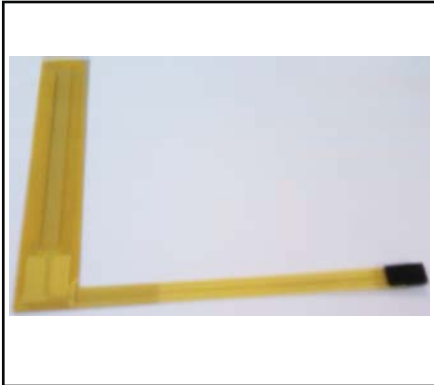
US800714 - TTX II ON/OFF/HO  
 SWITCH ASSEMBLY (BOTTOM LOAD)  
 US800713 - TTX II ON/OFF/HO  
 SWITCH ONLY (BOTTOM LOAD)



140498  
 OLD STYLE TTX II 3-POSITION  
 DPDT ON/OFF/HOLD OPEN SWITCH  
 (ONLY USED WITH DPDT RELAY, SIDE LOAD)



140196  
 (TTX II/1301) ON/OFF/HOLD OPEN  
 ROCKER SWITCH  
 (SIDE LOAD)



US801642  
TTX II ENCODER



US801641  
BALL PLUNGER-ENCODER



US801322  
BEA Br3 LOGIC MODULE



24 vAC  
TRANSFORMER

★★★★★  
**TORMAX**  
 AUTOMATIC



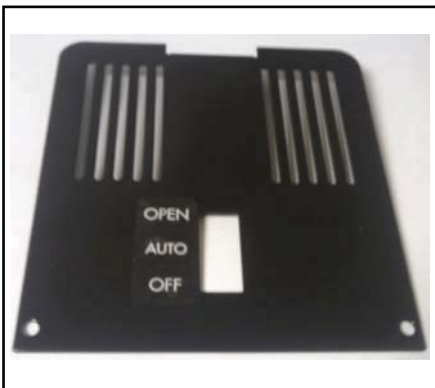
US800712  
 TTX II ENCODER EXTENSION  
 HARNESS ASSEMBLY (BOTTOM LOAD)



332362  
 TTX II FUSE T5A -  
 CONTROLLER (10 PER PKG)



141047  
 TTX II MOTOR "V" BELT



US800443  
 TTX II END W/ DPDT SWITCH CUTOUT  
 (SIDE LOAD)



140880  
 TTX I/II HEADER END CAP  
 (W/O SWITCH CUT-OUT, BLACK)  
 (SIDE LOAD)



140881  
 TTX I/II HEADER END CAP  
 (WITH SWITCH CUT-OUT, BLACK)  
 (SIDE LOAD)



141152  
 TTX II OPERATOR CLAMP  
 (SIDE LOAD)



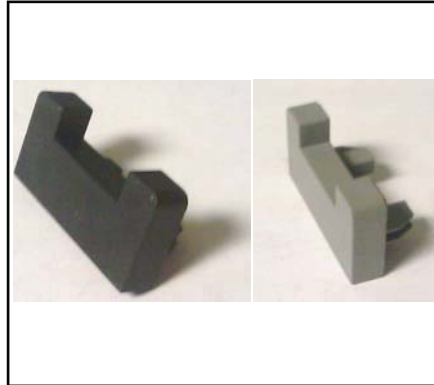
141153  
 TTX II RUBBER ISOLATION PAD -  
 OPERATOR CLAMP (SIDE LOAD)



111165  
 24VDC DPDT RELAY  
 (TTX BODYGUARD & PR APPL.)



JEP.0002  
 TTX II POWER SUPPLY  
 (BOTTOM & SIDE LOAD)



US801305 - BLACK CAP  
 US801304 - GRAY CAP  
 (TTX II/1301) END CAP-  
 INSWING SLIDE TRACK



140841  
 TTX II POWER CORD  
 (BOTTOM LOAD)



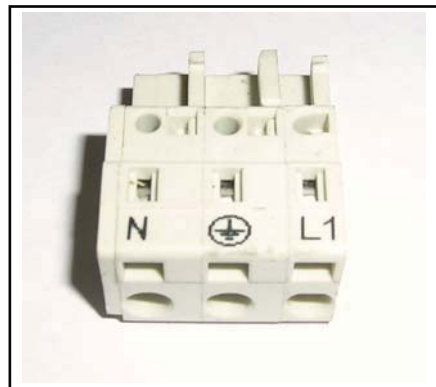
141151  
 (TTX II/1301) PLASTIC SPINDLE RING-  
 SPINDLE CUTOUT (SIDE LOAD)



141150  
 (TTX II/1301) PLASTIC COVER PLATE  
 DUMMY SPINDLE CUTOUT  
 (SIDE LOAD)



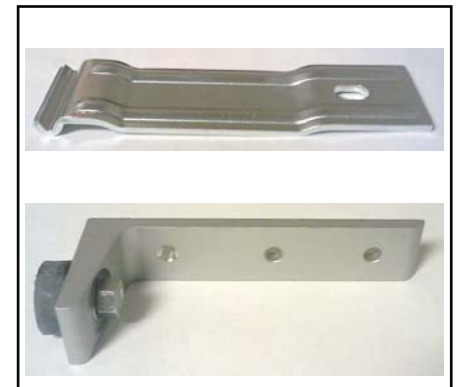
US800703 - PC BOARD STAND OFFS  
 US800711 - NYLON HOLE PLUG  
 (BOTTOM LOAD)



140676  
 MAINS POWER PLUG

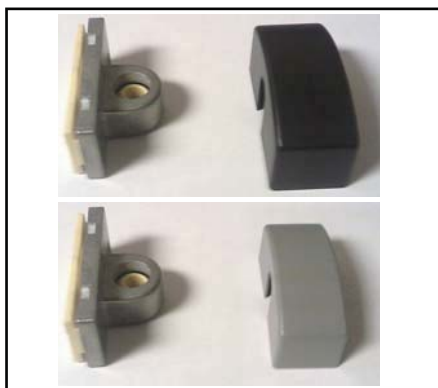


US800588  
 STATIC DRAIN HARNESS ASSY.  
 (BOTTOM AND SIDE LOAD)



US800477 - TTX II CHASSIS  
 BRACKET (BOTTOM LOAD)  
 110743 - TTX DOOR STOP  
 ASSEMBLY (CLEAR FINISH)

★★★★★  
**TORMAX**  
 AUTOMATIC



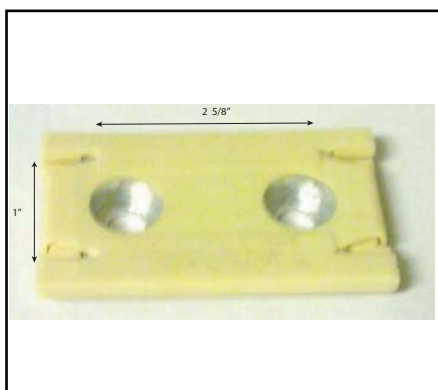
US800694 - BLACK COVER  
 US801300 - GREY COVER  
 (TTX II/1301) INSWING DOOR ARM  
 SLIDE BLOCK ASSEMBLY.



US801290 - BLACK COVER  
 US801291 - GREY COVER  
 (TTX/1301) OUT DOOR ARM  
 ATTACHMENT BRACKET C/W COVER



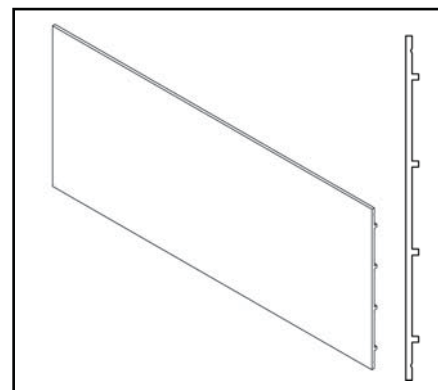
US801303 - BLACK COVER  
 US801302 - GREY COVER  
 (TTX II/1301) INSWING DOOR ARM  
 SLIDE BLOCK ASSY C/W COVER



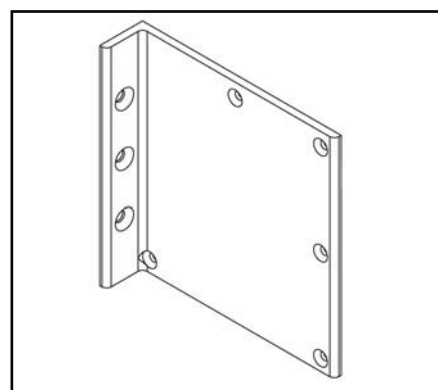
US801301  
 (TTX II/1301) SLIDE BLOCK PLASTIC  
 INSERT (IN SWING DOOR ARM)



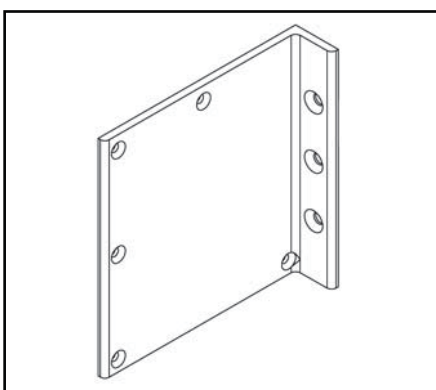
US801292 - BLACK FINISH  
 US801293 - CLEAR FINISH  
 (TTX II/1301) DOOR TRACK (25 19/32")



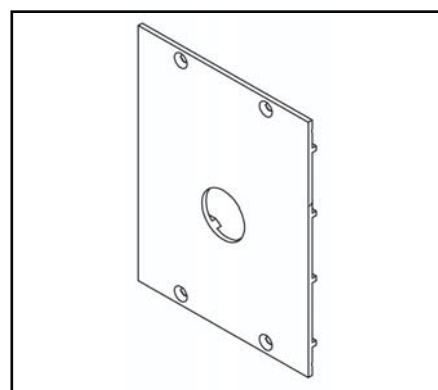
US800474-01 (CLEAR FINISH)  
 US800474-02 (DARK BRONZE)  
 EXT TTX II COVER PLATE - PER/FT  
 (BOTTOM LOAD)



US800701-01 (CLEAR FINISH)  
 US800701-02 (DARK BRONZE)  
 TTX II LEFT-HAND END BRACKET  
 (BOTTOM LOAD)



US800702-01 (CLEAR FINISH)  
 US800702-02 (DARK BRONZE)  
 TTX II RIGHT-HAND END BRACKET  
 (BOTTOM LOAD)



US800470-01 (CLEAR FINISH)  
 US800470-02 (D.B. FINISH)  
 TTX II BOTTOM LOAD  
 SPINDLE COVER PLATE

★★★★★  
**TORMAX**  
 AUTOMATIC



US800715  
 TTX II DRIVE ARM SHAFT  
 DOUBLE EGRESS OUT - 5.22"  
 (BOTTOM LOAD)



141032  
 (TTX II/1301) DRIVE ARM SHAFT  
 STANDARD IN & OUT APPL. - 3.22"  
 (SIDE LOAD)



US800704  
 TTX II ARM SHAFT  
 STANDARD OUT/IN - 4.5"  
 (BOTTOM LOAD)



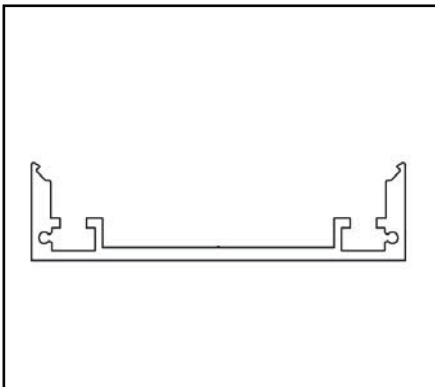
141020  
 (TTX II/1301)DRIVE ARM SHAFT  
 DBL EGR / DP REV IN - 2.65"  
 (SIDE LOAD)



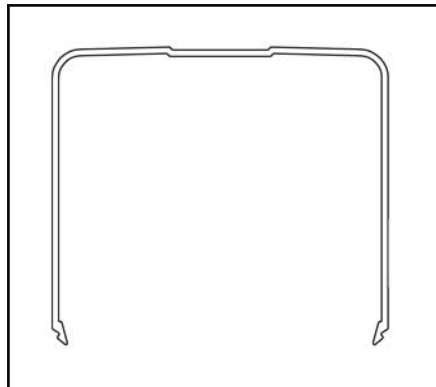
141106  
 (TTX II/1301) DRIVE ARM SHAFT 9.94"  
 DOUBLE EGRESS OUT (SIDE LOAD)  
 DOUBLE EGRESS IN (BOTTOM LOAD)



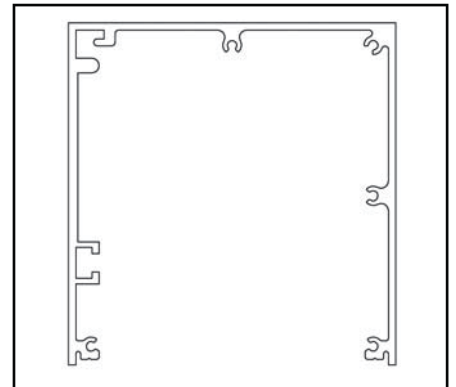
141205  
 (TTX II/1301) DRIVE ARM SHAFT  
 (SPECIAL APPLICATION 4.84")



140198-01288 (CLEAR)  
 140198-02288 (DARK BRONZE)  
 TTX BACKPLATE - PER/FT  
 (SIDE LOAD)



140197-01288 (CLEAR)  
 140197-02288 (DARK BRONZE)  
 TTX COVER - PER/FT  
 (SIDE LOAD)



US800473-01 (CLEAR FINISH)  
 US800473-02 (DARK BRONZE)  
 EXT TTX II HEADER - PER/FT  
 (BOTTOM LOAD)



US800734 - DRESS PLATE SCREW  
 FASTENER 6-32x3/8"  
 FL HD THREAD FORMING MS  
 (BLACK OXIDE, BOTTOM LOAD)



US800733 - DRESS PLATE SCREW  
 FASTENER 6-32x3/8"  
 FL HD THREAD FORMING MS  
 (ZINC OXIDE, BOTTOM LOAD)



US800735 - END CAP SCREW  
 FASTENER 10-24x3/4"  
 FH PH THREAD RING MS  
 (BLACK OXIDE, BOTTOM LOAD)



140737-03  
 (TTX II/1301)#8 X 1/2" LARGE PAN HEAD  
 PH SHEET METAL COVER SCREW  
 (ZINC FINISH, SIDE LOAD)



140737-04 - #8 X 1/2" LARGE  
 (TTX II/1301) PAN HEAD PH SHEET  
 METAL END CAP & COVER SCREW



US800706 - END CAP SCREW  
 FASTENER 10-24x3/4"  
 LG PH FL HD THREAD ROLLING ZP MS  
 (ZINC OXIDE, BOTTOM LOAD)



US801522  
 5/16-18 HEX HD NUT  
 FOR OPERATOR CLAMP  
 (SIDE & BOTTOM LOAD)



(BLACK FINISH, SIDE LOAD)

140242-10  
 5/16" SPLIT LOCK WASHER  
 FOR OPERATOR CLAMP  
 (BOTTOM LOAD)



140292-37 - 5/16-18 x 3/4" (SIDE LOAD)  
 140240-11 - 5/16-18 x 5/8" (BOTTOM LOAD)  
 LG. SOC HD OPERATOR CLAMP SCREW





408368 - CLEAR FINISH  
 405068 - BLACK FINISH  
 (TTX II/1301) OUTSWING DOOR ARM  
 (0" - 4<sup>3</sup>/<sub>16</sub>" REVEAL)



408369 - CLEAR FINISH  
 405648 - BLACK FINISH  
 (TTX II/1301) OUTSWING DOOR ARM  
 (4<sup>1</sup>/<sub>8</sub>" - 9<sup>7</sup>/<sub>8</sub>" REVEAL)



US801323 - CLEAR FINISH  
 141195 - BLACK FINISH  
 (TTX/1301) DBL EGRESS OUTSWING  
 DOOR ARM (0" - 4<sup>3</sup>/<sub>16</sub>" REVEAL)



US801324 - CLEAR FINISH  
 141196 - BLACK FINISH  
 (TTX II/1301) DBL EGRESS OUTSWING  
 DOOR ARM (4<sup>1</sup>/<sub>8</sub>" - 9<sup>7</sup>/<sub>8</sub>" REVEAL)



US801325 - CLEAR FINISH  
 141133 - BLACK FINISH  
 (TTX II/1301) RH INSWING DEEP  
 REVEAL ARM AND TRACK (0" - 6" REVEAL)



US801327 - CLEAR FINISH  
 141134 - BLACK FINISH  
 (TTX II/1301) LH INSWING DEEP REVEAL  
 ARM AND TRACK (0" - 6" REVEAL)



408372 - CLEAR FINISH  
 407456 - BLACK FINISH  
 (TTX II/1301) INSWING DOOR ARM  
 AND SLIDE TRACK



US800689  
 TTX SHAFT SCREW  
 1<sup>7</sup>/<sub>8</sub>



US801296 - CLEAR FINISH  
 (TTX II/1301) OUTSWING DOOR  
 ARM ADJ ELEMENT (0-4 3/16" REVEAL)



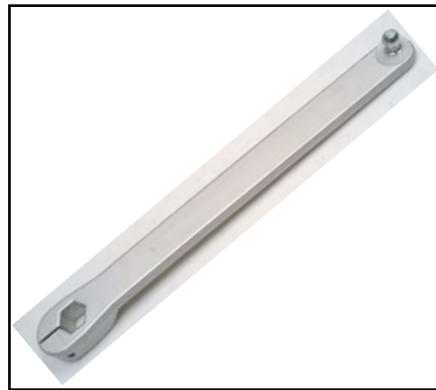
US801298 - BLACK FINISH  
 (TTX II/1301) OUTSWING DOOR  
 ARM ADJ ELEMENT (0-4 3/16" REVEAL)



US801297 - CLEAR FINISH  
 (TTX II/1301) OUT SWING DOOR  
 ARM ADJ ELEMENT (4 1/8 - 9 7/8" REVEAL)



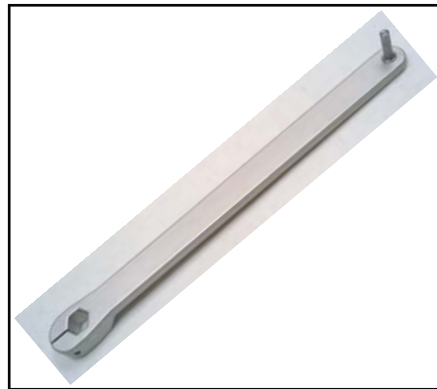
US801299 - BLACK FINISH  
 (TTX II/1301) OUTSWING DOOR  
 ARM ADJ ELEMENT (4 1/8 - 9 7/8" REVEAL)



US801306 - CLEAR FINISH  
 (TTX II/1301) OUTSWING DOOR  
 DRIVE ARM LEVER



US801307 - BLACK FINISH  
 (TTX II/1301) OUTSWING DOOR  
 DRIVE ARM LEVER



US801294 - CLEAR FINISH  
 (TTX II/1301) INSWING DOOR  
 DRIVE ARM LEVER



US801295 - BLACK FINISH  
 (TTX II/1301) INSWING DOOR  
 DRIVE ARM LEVER



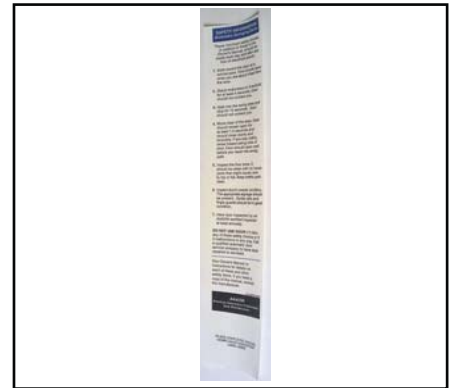
US800021 - CLEAR FINISH  
 US801501 - BLACK FINISH  
 C-CHANNEL ARM EXTENSION  
 (SPECIAL APPLICATION)



US800444  
 OPEN/AUTO/OFF  
 LABEL FOR SWITCH



390.9359 - TORMAX LOGO DECAL  
 140284 - AUTO DR ACT SW TO OP



US800865  
 LOW ENERGY SAFETY CHECK  
 DECAL FOR SWING DOORS



121033  
 TTX II INSTALLATION  
 & DECAL PACKAGE - SINGLE APPL.  
 (ASSEMBLY AVAILABLE)



121034  
 TTX II INSTALLATION  
 & DECAL PACKAGE - PAIR APPL.  
 (ASSEMBLY AVAILABLE)



140283  
 AUTOMATIC DOOR CAUTION  
 US801204  
 ADA ACCESSIBLE DECAL



140290 - PULL/PUSH TO OPERATE  
 140291 - PUSH/PULL TO OPERATE